



66247

EN	OPERATING INSTRUCTION	WASHING GUN	2
PL	ORYGINALNA INSTRUKCJA OBSŁUGI	PISTOLET DO MYCIA	6
RU	ИНСТРУКЦИЯ ПО ЭКСПЛУАТАЦИИ	МОЕЧНЫЙ ПИСТОЛЕТ	10
RO	INSTRUCȚII DE FOLOSIRE	PISTOL PENTRU SPĂLAT	14
LT	NAUDOJIMO INSTRUKCIJA	VALYMO PISTOLETAS	18
LV	LIETOŠANAS INSTRUKCIJA	MAZGĀŠANAS PISTOLE	22

(EN) EC DECLARATION OF CONFORMITY
(PL) DEKLARACJA ZGODNOŚCI WE

(RO) DECLARAȚIE DE CONFORMITATE CE
(LV) EK ATBILSTĪBAS DEKLARĀCIJA

(LT) EB ATITIKTIES DEKLARACIJA

(EN) MANUFACTURER (PL) PRODUCENT (RO) PRODUCĂTOR (LV) RAŽOTĀJS (LT) GAMINTOJAS

PROFIX Sp. z o.o. ul. Marywilska 34, 03-228 Warszawa

(EN) Person who was authorized to develop technical documentation: (LV) Persona atbildīga par tehniskās dokumentācijas sagatavošanu:
(PL) Osoba upoważniona do przygotowania dokumentacji technicznej: (LT) Asmuo įgaliotas parengti techninę dokumentaciją:
(RO) Persoana împuternicită pentru pregătirea documentației tehnice:

Mariusz Rotuski, Centrum Dystrybucyjno-Handlowe PROFIX, ul. Dobra 3, Łomna Las, 05-152 Czosnów

(EN) Washing gun (PL) Pistolet do mycia (RO) Pistol pentru spălat (LV) Mazgāšanas pistole (LT) Plovimo pistoletas

MEGA 66247

LB-01

max. 6 bar

S2345 - ... - S2531

(EN) The object of the declaration described above is in conformity with the relevant Union harmonisation legislation: (PL) Wymieniony powyżej przedmiot niniejszej deklaracji jest zgodny z odpowiednimi wymaganiami unijnego prawodawstwa harmonizacyjnego: (RO) Obiectul declarației descris mai sus este în conformitate cu legislația relevantă de armonizare a Uniunii: (LV) Iepriekš aprakstītais deklarācijas priekšmets atbilst attiecīgajam Savienības saskaņošanas tiesību aktam (LT) Pirmiau aprašytas deklaracijos objektas atitinka susijusius derinamuosius Sąjungos teisės aktus:

(EN) 2006/42/EC (OJ L 157, 9.6.2006, p. 24–86);
(PL) 2006/42/WE (Dz.U. L 157 z 9.6.2006, str. 24–86);
(RO) 2006/42/CE (OJ L 157, 9.6.2006, p. 24–86);
(LV) 2006/42/EK (OV L 157, 9.6.2006., 24./86. lpp.);
(LT) 2006/42/EB (OL L 157, 2006 6 9, p. 24–86);

(EN) References to the relevant harmonised standards used or references to the other technical specifications in relation to which conformity is declared:
(PL) Odniesienia do odnośnych norm zharmonizowanych, które zastosowano, lub do innych specyfikacji technicznych, w stosunku do których deklarowana jest zgodność:
(RO) Trimiteri la standardele armonizate relevante folosite sau trimiteri la celelalte specificații tehnice în legătură cu care se declară conformitatea:
(LV) Atsauces uz attiecīgajiem izmantotajiem saskaņotajiem standartiem vai uz citām tehniskajām specifikācijām, attiecībā uz ko tiek deklarēta atbilstība:
(LT) Susijusių taikytų darnųjų standartų nuorodos arba kitų techninių specifikacijų, pagal kurias buvo deklaruota atitiktis, nuorodos:

EN 1953:2013

Mariusz Rotuski
Pełnomocnik Zarządu ds. Certyfikacji

Correspondence address:
PROFIX LIMITED
Łomna Las, ul. Dobra 3
05-152 Czosnów | Poland
tel. +48 22 785 96 00 | fax +48 22 785 96 11

KRS: 0000075433
Sąd Rejonowy dla m. st. Warszawy
Kapitał zakładowy: 50 000 zł
GDIŚ: E0003080WZBW
NIP 125 00 20 263, REGON 010376542

Bank Rozwoju Eksportu S.A.
23 1140 1010 0000 3956 33 00 1001
Bank Handlowy w Warszawie S.A.
36 1030 1508 0000 0008 1553 7009

www.profix.com.pl | profixtools@profix.com.pl

– While working with substances that are hazardous to human health it is required to use filtering equipment (protect eyes and the respiratory tract (a face-protecting mask)). Pay attention to information about protecting measures provided by manufacturers of those substances.

– Observe the rules for handling hazardous materials. That information is provided on packages of the applied materials in the form of codes and safety signs. When necessary, undertake additional safety measures, in particular wear appropriate clothes and masks.

– Do never smoke during spraying operations or at the workplaces. Also fumes of the sprayed agents can be inflammable.

– Furnaces, open light sources or sparking devices can never be used nearby open containers with paints as it may lead to a fire /explosion. It is also why smoking in such areas is forbidden.

– Do never store or eat food or drink in rooms where spraying operations are carried out. Fumes of the applied substances are hazardous for human health.

– Rooms, where spraying operations are carried out with use of hazardous substances must have volume more than 30 m³. Sufficient air flow must be provided during spraying and drying operations. Do not spray against the wind. As a rule, spraying of inflammable or potentially hazardous agents subjects to legal regulations issued by local authorities.

– In connection to a PVC pressure hose do never use such agents as a mineral spirits, butanol, dichloromethane, as it reduces the hose lifetime.

NOTE! Do never use thinners (solvents) or cleaning agents that cause oxidation of the aluminium container, the gun itself and its galvanized parts. Under extreme conditions, oxidation may be a reason for explosion. Manufacturers of painting products and solvents provide necessary information on product packages. Under no circumstances use acids to clean pneumatic tools.

Please observe and follow the safety tips.

CHAPTER II. START-UP AND OPERATION OF PNEUMATIC TOOLS

IMPORTANT! General operation rules refer to all the pneumatic tools included into the set of painting equipment.

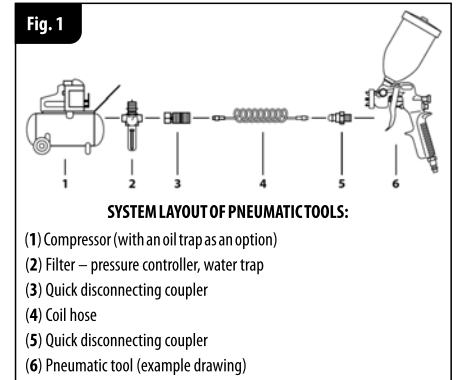
RECOMMENDATIONS FOR SUPPLYING TOOLS WITH COMPRESSED AIR.

- The supplied compressed air should be always clean and dry.
- It is recommended to use filtering components to capture particles of water, solids and oil.
- Prior to each use check the pneumatic hose and connection couplers for their applicability, tightness and connection correctness.
- Prior to each use check the compressed air supply device (e.g. a compressor, pneumatic system).
- To take advantage of full power and performance of the tool, use quick disconnect couplers of appropriate length and diameter.
- Avoid sharp bending or kinking of the air hose.
- Do never use these tools for industrial applications.
- Do never use these tools for the food industry.
- Do never use these tools in a dusty environment.

CAUTION! It is strictly forbidden to exceed the maximum permissible pressure of the supplying air! Excessive pressure leads to exceeding of permissible operating parameters of the tool and may result in damage of the tool and/or the supplying hose as well as personnel injuries.

RECOMMENDATIONS FOR WORKING WITH PNEUMATIC TOOLS.

Prior to commence operation of a pneumatic tool it is mandatory to make sure that it has been correctly connected to the air pressure source with appropriate sequence of the system components (see Fig. 1).



It is **forbidden** to repair, adjust or replace parts of the system when the tool is in operation.

During breaks in tool operation or while moving from one place to another, operators must remove the sprayed substance from the reservoir (in case when a painting gun or an oil-spraying gun is used) and then disconnect the source of compressed air supply. Finally, the tool nipple must be disconnected from the coupler. When the tool nipple is to be replaced it is mandatory to shutoff the compressed air supply to avoid bulleting of the nipple in case of unintentional triggering the tool.

Tools must be protected against drops and impacts as well as against contamination with mud, water, sand, etc. and maintain in accordance with this User's Manual. Attention must be paid to keep the air supplying hoses in sound technical condition.

RECOMMENDATIONS RELATED TO OPERATION OF COIL HOSES

- Coil hoses must be:
- firmly attached to and clamped on the air hose nipples.
 - free of gas leaks (in case of leakage detection one has to immediately shutoff supply of compressed air),
 - regularly blown with warm air,
 - connected to compressed air sources furnished with oil traps and condensate drains,
 - protected against mechanical damage and effect of caustic agents (acids, bases), oil and grease.

At locations where coil hoses are exposed to mechanical damage **use of armoured hoses** is recommended. Upon detection of a hose exposure to a caustic materials one has to wash the hose with copious amount of water and check whether it is still free of leaks, discolorations or deformations and whether the stiffness of the hose external surface has remained unaltered. It is forbidden to use a damaged hose.

Hoses with outer surfaces contaminated with grease or oil must be carefully cleaned with use of dry cotton tow. Use of a damaged or contaminated hose poses a risk of occupational accident.

Air hoses must be connected to and disconnected from tools only when supplying of compressed air is shut off. It is forbidden to stop supply of compressed air by kinking a hose!

Upon connection of the air hose to the source of compressed air the hose must be blown through at first with maintaining necessary safety precautions in order to remove all dust accumulated inside the hose. Only after that a pneumatic tool can be connected to the hose.

Air hoses must never touch or be routed nearby live electric conductors.



TECHNICAL PARAMETERS:

Consumption of compressed air	250l/min
Maximum air pressure	6 bars(87 psi)
Air inlet size	1/4"
Acoustic pressure level (LpA), K = 3 dB(A)	89 dB(A)
Acoustic power level (LwA), K = 3 dB(A)	100 dB(A)
Total value of vibrations affecting upper limbs of the operator is less than 2,5 m/s ² (EN 1953:1998+A1:2009)	

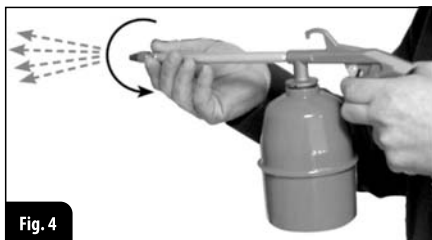
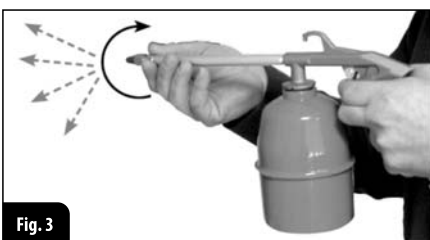
Materials: body (steel), trigger (steel), tank (steel), nozzles (non-ferrous metals)

1.1 INTENDED USE:

The washing gun is designed to clean dirty and oiled parts with use of solvents appropriate for specific applications or with other washing agents. Steel body and trigger guarantee long lifetime of the appliance.

1.2 START-UP AND USE:

- 1) Fill the tank (1) with a washing agent or a solvent.
- 2) Screw the tank firmly with the tool body (2).
- 3) Connect the hose that supplies the tool with compressed air to the inlet coupler (3) – **CAUTION:** do not put fingers onto the On/Off trigger (4) while connecting the hose.
- 4) Depress the On/Off trigger (4) to spray the agent – try first on a test plate.
- 5) Rotate the ring nozzle (5) to achieve desired spraying angle of the output stream and then lock it with use of the rear collar (6) (Fig. 3 – 4).



- 6) Aim the tool at the treated part and depress the On/Off trigger (4).

WARNING: While using keep the spraying gun always in the horizontal position to enable easier sucking of the agent from the tank. Do never spray hazardous substances without a mask that protects the respiratory tract, always wear protecting goggles.

CHAPTER III. MANUFACTURER'S WARRANTY

The warranty specifically excludes all and any damages caused by regular wear, overload or mishandling or application not in line with the intended use for the specific tool. To keep the warranty valid the tool must be delivered to the seller or to the service workshop in fully assembled condition.


The warranty covers spare parts to be replaced and workmanship over the period of 12 months starting from the date of purchase confirmed by the invoice of a cash register receipt and is valid only on the area of the Republic of Poland. Possible defects can be remedied by replacement of the tool or repairing the same.

During the warranty period shall repair the defective tool free of charge or replace the defective unit or its malfunctioning components due to manufacturing of them of inappropriate material or assembly defects arisen by the fault of the manufacturer, provided that all requirements of the User's Manual have been observed.

The equipment shall be repaired by service centers run by PROFIX or by service workshops duly authorized to repair the tools. Only authorized workshops are allowed to repair the equipment, otherwise hazard to the user's health of life may arise.

Duration of the warranty period, warranty terms as well as addresses of service centers and authorized workshops are listed in the warranty sheet.

WASTE DISPOSAL:

 Pneumatic tools, equipment and the package shall be disposed according to the effective rules of environment protection.
Do not mix tools with household garbage!

NOTES:

- The policy of PROFIX consists in permanent improvement of its products. Therefore the company reserves the right to amend specification of products without a preliminary notice.
- Standard products and accessories may vary from one country to another, depending on the location of sales.
- Specification of products may be different for various countries.
- Full series of offered products may be not available in all countries.
- Please contact local resellers of PROFIX to find out availability of the products.

Manufacturer: PROFIX Co. Ltd.

Address: 34, Marywilka St., 03-228 Warsaw, Poland

izstrādājuma specifikāciju.

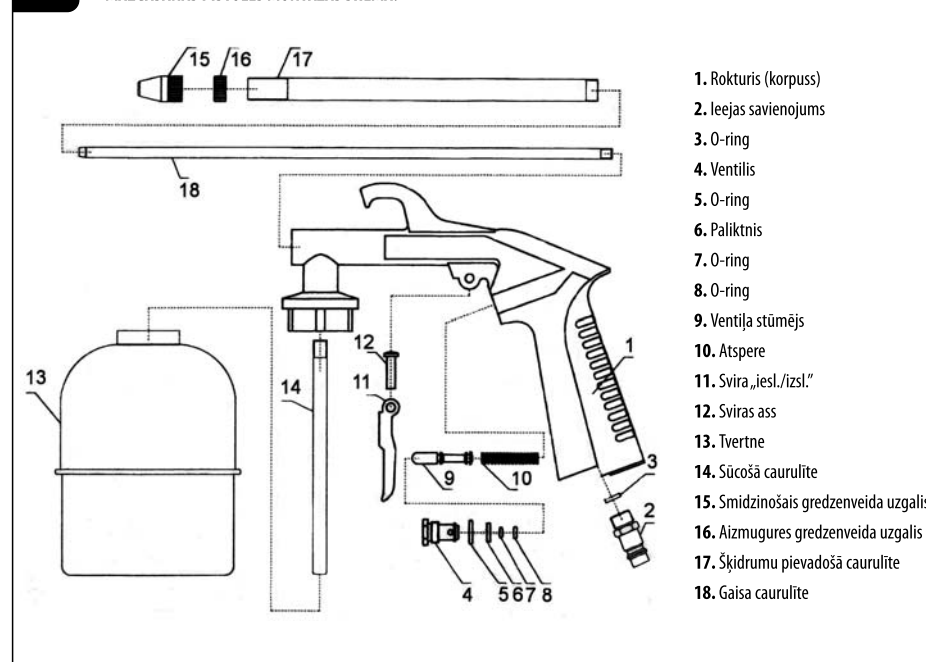
- Standarta veida izstrādājumi un aprīkojums var atšķirties atkarībā no pārdošanas valsts.
- Izstrādājuma specifika var atšķirties dažādām valstīm.
- Pilns izstrādājumu asortiments var būt nepieejams visās valstīs.






– Nepieciešams sazināties ar vietējiem PROFIX izplatītājiem, lai noteiktu pieejamo asortimentu.

Ražotājs: PROFIX Sp. z o.o.

Adrese: ul. Marywilka 34, 03-228 Warszawa, Polska

Zīm. 5 MAZGĀŠANAS PISTOLES MONTĀŽAS SHĒMA:



	LIETOT AIZSARGBRILLES!
	LIETOT DZIRDĒS AIZSARDZĪBAS LĪDZEKĻUS!
	VALKĀT AIZSARGCIMDUS!
	LIETOT PUTEKĻU MASKU!
	PIRMS PALAIŠANAS IZLASĪT APKALPOŠANAS INSTRUKCIJU!
	PRODUKTS ATBILST ES DIREKTĪVAS PRAŠĪBAM



Šī instrukcija ir sargāta ar autortiesībām. Aizliegts to kopēt/pavairot bez PROFIX SIA rakstiskas atļaujas.

darba negadījumu.

Šļūtenes pievienošanu un atvienošanu pie instrumenta jāveic tikai pie aizvērtā gaisa ventīļa. Nedrīkst pārtraukt gaisa padevi salokot šļūteni!
Pirms šļūtenes pieslēgšanas pie barošanas avota vispirms nepieciešams to izpūst, ievērojot attiecīgus drošības līdžekļus, lai likvidētu tur sakrājušos putekļus, un pēc tam pievienot pneimatisko instrumentu.

Šļūtenes nedrīkst pieskarties un atrasties tuvu pie zem sprieguma esošiem elektriskiem vadiem.



TEHNISKIE DATI:

Saspiestā gaisa patēriņš	250 l/min
Maksimālais gaisa spiediens	6 bar (87 psi)
Gaisa ieplūšanas diametrs	1/4"
Akustiskā spiediena līmenis (LpA), K = 3 dB(A)	89 dB(A)
Akustiskās jaudas līmenis (LwA), K = 3 dB(A)	100 dB(A)
Kopējais vibrācijas līmenis, kurš darbojas uz operatora rokām nepārsniedz 2,5 m/s ² (EN 1953:1998+A1:2009)	

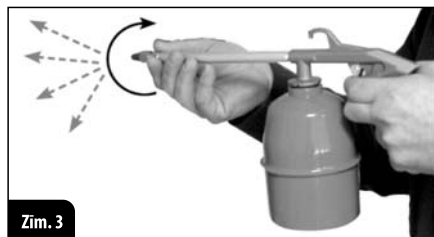
Konstrukcijas materiāls: korpuss (tērauds), svira (tērauds), tvertne (tērauds), uzgali (krāsainais metāls).

1.1 DARBĪBAS APRAKSTS:

Pistole paredzēta netīru un eļļainu elementu tīrīšanai lietojot atbilstošu šim darbam šķīdinātāju vai citas mazgājošas vielas. Metāla korpuss un svira nodrošina instrumenta ilgmūžību.

1.2 IESLĒGŠANA UN LIETOŠANA:

- 1) Uzpildīt tvertni (1) ar mazgājošo vielu vai šķīdinātāju,
- 2) Stipri pieskrūvēt to pie pistoles (2) korpusa,
- 3) Sekojoši savienot gaisa barošana cauruli ar ieejas savienojumu (3) – **UZMANĪBU:** pievienošanas laikā neturēt pirkstus uz sviras „iesl./izsl.” (4).
- 4) Nospiežot sviru „iesl./izsl.” (4) notiek šķidrums smidzināšana uz apstrādājamo virsmu.
- 5) Pagriežot gredzenveida uzgali (5) iegūstam vēlamo smidzināšanas strūklu (zīm. 3-4), sekojoši nobloķēt to ar aizmugures kontrējošo gredzenveida uzgali (6).



Zīm. 3



Zīm. 4

6) Vērst sprauslu uz mazgājamo elementu un nospiežot sviru „iesl./izsl.” (4).

BRĪDINĀJUMS: Pistoli nepieciešams lietot vertikālā stāvoklī, lai no tvertnes labāk padotu šķidrumu. Nesmidzināt kaitīgas vielas bez elpošanas orgānu aizsardzības aizsarg maskas un asu aizsardzības brillēm.

III DAĻĀ. RAŽOTĀJA GARANTĪJA

Garantija neattiecas uz normālu nolietošanu, pārslogošanu vai nepareizu apkalpošanu kā arī dotajam instrumentam neatbilstošu lietošanu. Lai saglabātu šo garantiju nepieciešams pārdevējam nogādāt nedemontētu instrumentu.

Garantija attiecas uz apmainītām daļām un darba izmaksām 12 mēnešu laikā sākot no pirkšanas datuma, kurš ir apstiprināts ar faktūru vai rēķinu un darbojas tikai Polijas Republikas teritorijā.


Iespējamie defekti var tik novērsti instrumenta apmaiņas ceļā vai arī veicot attiecīgu remontu.

Garantijas laikā, ar nosacījumu ka lietotājs ievēro ierīces apkalpošanas instrukciju, ražotājs veic bezmaksas remontu vai bojātās ierīces vai arī tās konstrukcijas daļu apmaiņu, kuras neizpilda savu funkciju, jo ražotājs izgatavojis tās no neatbilstoša materiāla vai nepareizi samontējis.

Garantijas remontu veic PROFIX servisa centri vai servisi, kuriem ir izdota ierīču remontēšanas pilnvaras. Remontu veic tikai autorizēts servisa punkts, pretējā gadījumā var tikt apdraudēta lietotāja veselība un dzīvība.

Garantijas kartē uzrādīti garantijas termiņš, garantijas nosacījumi kā arī servisa centru un remonta darbnīcu adreses.

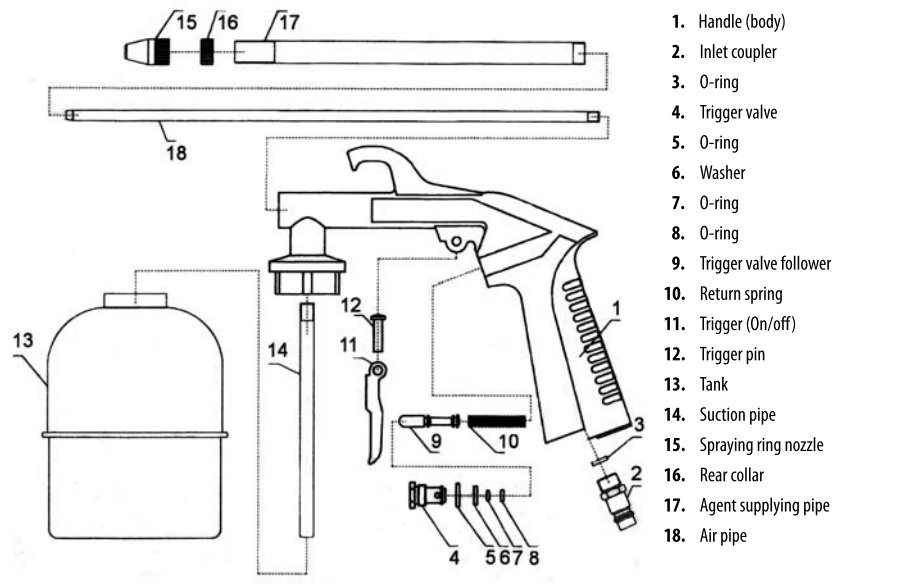
ATKRITUMU LIKVIDĒŠANA:

 Pneimatisko instrumentu, aprikojumu un iepakojumu nepieciešams utilizēt saskaņā ar pastāvošiem dabas aizsardzības noteikumiem. Nedrīkst izmest instrumentus mājāsaimniecību atkritumos!

PIEZĪMES:

– PROFIX politikā ir pastāvīga savu produktu pilnveidošana un tāpēc firma patur sev tiesības bez iepriekšēja paziņojuma mainīt

Fig. 5 ASSEMBLY DRAWING FOR THE WASHING GUN:



	WEAR PROTECTIVE GLASSES!
	WEAR HEARING PROTECTORS!
	WEAR PROTECTIVE GLOVES!
	WEAR A DUST MASK!
	READ THE MANUAL BEFORE USE!
	THE PRODUCT CONFORMS TO EU DIRECTIVES' REQUIREMENTS

 This instruction manual is protected by copyright. Copying it without the written consent of PROFIX Co. Ltd. is prohibited.



Szanowny Kliencie,



Używając narzędzia pneumatycznego (dalej – „narzędzie” lub „produkt”) należy przeczytać instrukcję i przestrzegać następujących podstawowych środków bezpieczeństwa w celu uniknięcia uszczerbku na zdrowiu lub utraty życia, ochrony przed porażeniem prądem, zranieniami, wybuchem i niebezpieczeństwem pożaru.

Eksploatacja narzędzi powinna być zgodna z przepisami BHP, obowiązującymi na terenach użytkowania.

Nieprzestrzeżenie poniższych ostrzeżeń i/lub ingerowanie w konstrukcję narzędzi pneumatycznych anuluje prawa gwarancyjne i zwalnia producenta z odpowiedzialności za szkody wynikłe w związku z pracą urządzenia - wyrażdzone ludziami, zwierzętom, na mieniu lub samemu urządzeniu.

Prosimy zachować instrukcję i wskazówki, aby można było w każdym momencie do nich wrócić. W razie przekazania urządzenia innej osobie, należy zaopatrzyć ją w instrukcję obsługi również. Nie ponosimy odpowiedzialności za wypadki i uszkodzenia, które zaistniały w wyniku nieprzestrzegania niniejszej instrukcji i wskazówek bezpieczeństwa.

ZASTRZEŻENIE: Z powodu stałego udoskonalenia naszych produktów zastęgamy sobie prawo do wprowadzania zmian, które nie są ujęte w poniższej instrukcji.

ROZDZIAŁ I. OGÓLNE WSKAZÓWKI BEZPIECZEŃSTWA PRZY UŻYTKOWANIU NARZĘDZI PNEUMATYCZNYCH

■ Stosowanie narzędzia

– **Narzędzie i zalecane wyposażenie dodatkowe należy użytkować zgodnie z instrukcją obsługi.** Narzędzie i wyposażenie dodatkowe należy wykorzystywać (przy koniecznym przestrzeganiu wskazówek ich producenta) wyłącznie do celów zgodnych z przeznaczeniem. Kategorycznie wyklucza się wykorzystywanie urządzenia do wszelkich innych celów. Z zasady narzędzie należy włączyć przed zbliżeniem do materiału/miejsca, na które będziemy oddziaływać.

– **Należy zachować porządek w miejscu pracy.** Bałagan w miejscu pracy zwiększa prawdopodobieństwo wypadku. Pracować w dobrze wentylowanych pomieszczeniach.

– **Zwracać uwagę na otoczenie.** Nie wystawiać narzędzia na deszcz. Proszę pamiętać o właściwym oświetleniu. Nie kierować pistoletu w stronę ludzi i zwierząt. Nie pozwalać osobom postronnym, by poruszały węzeł spiralnym, kompresorem lub kablem zasilającym kompresora. Nie dopuszczaj tych osób do obszaru roboczego. Postronne osoby nie powinny przebywać w obszarze pracy. Nie dopuszczaj dzieci do urządzenia!

– **Stan roboczy narzędzia.** Należy sprawdzać narzędzie i wąż spiralny pod kątem kompletności i uszkodzeń.

– **Zabezpieczyć się przed porażeniem prądem.** Podczas pracy unikać zetknięcia części ciała i narzędzia z obiektami będącymi pod napięciem np. elementami instalacji elektrycznej, elementami grzejnymi, urządzeniami elektrycznymi.

– **Przechowywać narzędzie w miejscu niedostępnym dla osób nieuprawnionych.** Nieużywane narzędzia powinny być przechowywane w suchym, zamkniętym i niedostępnym dla dzieci miejscu. Wszystkie czynności konserwacyjne wykonywać po odłączeniu przewodu ze sprężonym powietrzem oraz zbiornika.

– **Nie przeciążać nadmiernie narzędzia.** Lepiej i bezpieczniej pracuje się przy wydajności podanej w danych technicznych.

– **Zawsze nosić odpowiednią odzież roboczą.** Przy pracy narzędziem

nie należy nosić luźnej odzieży lub biżuterii. Przy pracy zalecane są gumowe rękawice i obuwie antypoślizgowe. W przypadku długich włosów używać siatki na włosy.

– **Nie używać węża spiralnego do innych celów.** Nie przenosić narzędzia przy pomocy węża spiralnego. Chronić wąż przed żarem, olejami i ostrymi krawędziami.

– **Starannie dbać o narzędzie.** Pamiętać o tym, żeby narzędzie zawsze było czyste, co zapewni skuteczną i bezpieczną pracę. Przestrzegać zasad konserwacji. Regularnie kontrolować końcówki złączne i wąż spiralny, a w razie stwierdzenia uszkodzenia zlecić naprawę w autoryzowanym serwisie.

– **Transportowanie.** Przed transportowaniem narzędzia powinny być odpowiednio oczyszczone i osuszone z używanych materiałów. Mogą być transportowane tylko po ich odpowiednim zabezpieczeniu przed zanieczyszczeniem.

UWAGA! Zawsze należy zachowywać uwagę przy pracy. Oceniać efektywność pracy. Postępować rozsądnie. Sprawność reagowania może ulec upośledzeniu na skutek spożycia alkoholu, zażywania leków i narkotyków, także w wyniku chorób i zmęczenia. W takich wypadkach należy zrezygnować z pracy z użyciem narzędzi.

– **Kontrolować urządzenie pod kątem ewentualnych usterek.** Przed każdym użytkowaniem narzędzia uważnie je sprawdzić, a w szczególności elementy zabezpieczające i części, które podejrzewamy o uszkodzenie. Należy ocenić, czy spełniają właściwe i zgodne z przeznaczeniem funkcje. Skontrolować, czy części ruchome funkcjonują bez zarzutu i nie blokują się oraz czy nie są uszkodzone. Wszystkie części muszą być właściwie zamontowane, aby zapewnić bezpieczną pracę urządzenia. Jeżeli zauważysz jakieś oznaki nieprawidłowej pracy urządzenia, natychmiast je wyłącz i odłącz od źródła zasilania. Uszkodzone elementy zabezpieczające i części należy naprawiać/wymieniać tylko w autoryzowanym serwisie, o ile nie podano inaczej w instrukcji obsługi.

UWAGA! Dla własnego bezpieczeństwa używać jedynie tych akcesoriów i urządzeń dodatkowych, które są podane w instrukcji obsługi lub są polecane przez producenta. Zastosowanie innych akcesoriów i osprzętu niż polecany w instrukcji obsługi lub katalogu producenta, może oznaczać dla Państwa niebezpieczeństwo spowodowania szkód na zdrowiu lub mieniu.

■ Bezpieczeństwo i higiena pracy

- 1) Do obowiązków pracodawcy należy przekazanie niniejszej instrukcji obsługi narzędzia jego operatorowi!
- 2) Przed rozpoczęciem pracy należy przeczytać zalecenia producenta i zapoznać się z parametrami technicznymi.
- 3) Praca, kontrola, jak również konserwacja powinny być zawsze zgodne z obowiązującymi normami bezpieczeństwa i higieny pracy.
- 4) Podczas używania narzędzi pneumatycznych należy używać gogli ochronnych i nauszników ochronnych.
- 5) Przy pracy z chemicznymi płynami używać masek i filtrów ochronnych chroniących drogi oddechowe i oczy.
- 6) Kompresor osiąga podczas pracy wysoką temperaturę. Dotykanie go prowadzi do poparzeń.
- 7) Zasysane przez kompresor powietrze musi być wolne od domieszek innych gazów i/lub oparów, ponieważ mogą one w kompresorze zapalić się lub eksplodować.
- 8) Przy odłączaniu szybkozłazki należy przytrzymać ręką element sprężający węża, aby uniknąć zranień przez podrywający się wąż.
- 9) Przy pracach z pistoletami, w tym również pistoletem do przedmuchiwania, należy nosić gogle ochronne. Ciała obce i zdmuchiwane części mogą łatwo spowodować zranienia oczu.

■ Drożības norādījumi darbā ar smidzināmām vielām

– Nelietot krāsas vai šķīdinātājus ar uzliesmošanas temperatūru zemāku par 55 °C.

– Nesakarsēt krāsas un šķīdinātājus.

– Kad strādā ar veselībai kaitīgām vielām, elpošanas ceļu aizsardzībai jālieto filtrējošas ierīces acu un elpošanas orgānu aizsardzībai (sejas aizsargmaska). Pievērst arī uzmanību uz šo materiālu ražotāju informāciju par aizsardzības līdzekļiem.

– Ievērot bīstamo materiālu lietošanas noteikumus, kuri uzrādīti uz lietoto materiālu iepakojuma - apzīmējumu un datu formā. Eventuāli lietot papildus aizsardzības līdzekļus, nēsāt atbilstošu apģērbu un maskas.

– Aizliegts smēķēt smidzināšanas laikā kā arī darba vietā. Tvaiki arī var būt viegli uzliesmojoši.

– Atklāta uguns un gaismas avoti vai dzirksteļu emitējošas ierīces nevar atrasties un tikt lietotas atvērta krāsu tvertņu tuvumā, par cik tas var izraisīt ugunsgrēku/eksploziju. Tā paša iemesla dēļ šīs situācijās nedrīkst smēķēt. Telpā, kur strādā neglabāt un neēst ēdiena un dzērienu. Lietoto vielu tvaiki ir kaitīgi veselībai.

– Telpām, kurās tiek veikti krāsošanas darbi ar kaitīgām vielām, kubatūrai jābūt lielākai par 30 m³. Krāsošanas un žāvēšanas laikā jābūt nodrošinātai pietiekamai gaisa apmaiņai. Nekrāsot pret vēju. Veicot smidzināšanu, krāsošanu ar viegli uzliesmojām, bīstamām vielām ievērot vietējo varas orgānu tiesiskās regulācijas.

– Savienojumā ar PCV spiediena šļūteni nelietot sekojošas vielas: lakas benzīnu, butilalkoholu, metilēna hlorīdu (tas sāina šļūtenes kalpošanas „mūžu”).

UZMANĪBU! Nelietot šķīdinātājus un tīrīšanas līdzekļus, kuri radītu alumīnija tvertnes, pistoles un tā galvanisko daļu oksidēšanas. Ekstremālos apstākļos oksidēšanās var radīt eksploziju. Krāsu materiālu un šķīdinātāju ražotāji uz saviem produktiem uzrāda atbilstošu informāciju. Pneimatisko instrumentu tīrīšanai ne kādā gadījumā nelietot skābes.

Lūdzam saglabāt un ievērot drošības norādījumus.

II DAĻA. PNEIMATISKO INSTRUMENTU IESLĒGŠANA UN LIETOŠANA

NORĀDĪJUMI ATTIECĪBĀ UZ PNEIMATISKO INSTRUMENTU SASPIESTĀ GAISA BAROŠANU:

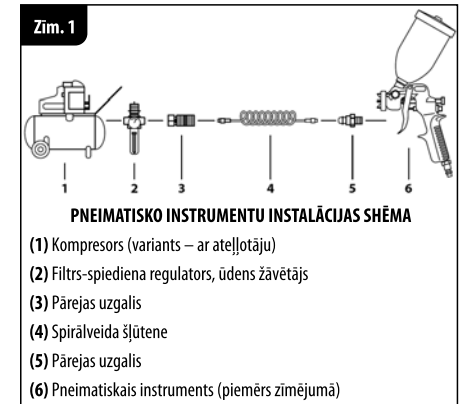
- Pievadītajam gaisam vienmēr jābūt tīram un sausam.
- Ieteicams lietot filtrējošos elementus, kuri uztver ūdens, mikrospokiskās un eļļainās daļiņas.
- Pirms katras lietošanas pārbaudīt šļūteni un pārejas uzgaļus, nemot vērā to lietošanas derīgumu kā arī hermētiskumu un pieslēgšanas pareizību.
- Pirms katras lietošanas pārbaudīt barošanas ierīci (piem. kompresoru, pneimatisko sistēmu).
- Lai pilnībā izmantotu instrumenta jaudu un ražību, nepieciešams lietot atbilstoša diametra un garuma pārejas uzgaļus un šļūtenes.
- Nepieciešams izvairīties no šļūtenes saliekšanas.
- Nelietot instrumentu rūpnīciskos nolūkos.
- Nelietot instrumentu pārtikas rūpniecībā.
- Nelietot instrumentu putekļainā vidē.

UZMANĪBU! Nedrīkst pārsniegt pieļaujamo spiedienu! Pārmērīgs spiediens izmaina instrumenta pieļaujamos parametrus un var radīt tā

bojājumu un/vai šļūtenes defektu un negadījumu.

NORĀDĪJUMI DARBĀ AR PNEIMATISKO INSTRUMENTU:

Pirms darba sākuma ar pneimatisko instrumentu nepieciešams pārliecināties, ka tas ir pieslēgts atbilstošā kārtībā pie barošanas avota (skat. zīm. 1).



Darba laikā ar instrumentu **nedrīkst** veikt tā remontu, regulāciju vai detaļu maiņu.

Darba laika pārtraukumā vai darba vietas maiņas laikā nepieciešams no tvertnes izliet smidzinošo vielu (ja tiek lietota krāsošanas vai naftas smidzināšanas pistole), pēc tam atvienot saspiestā gaisa barošanu, un izņemt instrumenta savienojuma uzgāli no šļūtenes pārejas uzgaļa. Darba uzgaļa maiņas laikā saspiestā gaisa padevei jābūt slēgtai, lai nenotiktu tā izraušana instrumenta negadītās ieslēgšanas laikā.

Instrumentu nepieciešams sargāt no nokrišanas un sitieniem kā arī pret netīrumiem piem.: dubļi, ūdens, smiltis un tml. un konservēt saskaņā ar apkalpošanas instrukciju, kā arī pievērst uzmanību uz saspiestā gaisa padeves vada laba tehniskā stāvokļa saglabāšanu.

NORĀDĪJUMI SPIRĀLVEIDA ŠĻŪTENI LIETOŠANĀ:

Šļūtenēm jābūt:

- droši stiprinātām pie saviem uzgaļiem.
 - gāzu hermētiskām (gadījumā, ja tiek konstatēts nehermētiskums nepieciešams nekavējoties izslēgt saspiestā gaisa padevi),
 - caurpūstām ar siltu gaisu,
 - pieslēgtām pie barošanas avotiem apgādātiem ar atelētāju un kondensācijas tvertnēm.
 - sargātām no mehāniskiem bojājumiem un kodīgu (skābes, bāzes), eļļainu un smērveidīgu materiālu iedarbības.
- Mehānisku bojājumu iespējas gadījumā nepieciešams lietot armētas šļūtenes. Gadījumā, ja tiek konstatēts šļūtenes kontakts ar kodīgām vielām šļūteni nepieciešams mazgāt lielā ūdens daudzumā un pārbaudīt vai joprojām ir hermētiska, vai ir radusies krāsas maiņa un/vai deformācija, vai mainījies šļūtenes ārējās virsmas cietība. Nedrīkst lietot bojātu šļūteni!

Šļūteni, kura ārpusē sasmērēta ar smērēļļām vai eļļām nepieciešams rūpīgi notīrīt ar kokvilnas pakulām.

Lietojot bojātu šļūteni un/vai piesārņotu kā augstāk uzrādīts draud ar



Cienijamais Klient,

Lietojot pneimatisko instrumentu (tālāk – „instrumentu” vai „produktu”) nepieciešams izlasīt instrukciju un ievērot sekojošus drošības pamat principus, lai izvairītos no veselības un dzīvības zaudēšanas, elektriskās strāvas trieciena, ievainojumiem, eksplozijas un ugunsgrēka izcelšanās. Instrumenta ekspluatācijai jābūt saskaņā ar lietotāja teritorijā pastāvošiem darba drošības likumiem.



Neievērojot zemāk uzrādītos norādījumus un/vai izdarot izmaiņas pneimatiskā instrumenta konstrukcijā tiek zaudēta garantija un atbrīvo ražotājs no atbildības par ierīces darbības rezultātā radītiem zaudējumiem – cilvēkiem, dzīvniekiem, mantai vai pašai ierīcei.

Lūdzam saglabāt instrukciju un norādījumus, lai pie tiem katrā brīdī varētu atgriezties. Gadījumā, ja ierīce tiek nodota citai personai, to arī nepieciešams apgādāt ar apkalpošanas instrukciju. Neatbildam par negadījumiem un bojājumiem, kuri radušies neievērojot šo instrukciju un drošības norādījumus.

PIEZĪME: Sakarā ar nepārtrauktu mūsu produktu pilnveidošanu paturam sev tiesības ieviest izmaiņas, kuras nav šinī instrukcijā.

I DAĻA. PNEIMATISKO INSTRUMENTU LIETOŠANAS VISPĀRĒJIE DARBA DROŠĪBAS NORĀDĪJUMI

■ Instrumenta lietošana.

– **Instrumentu un papildus aprīkojumu nepieciešams lietot saskaņā ar apkalpošanas instrukciju.** Instrumentu un papildus aprīkojumu nepieciešams lietot (obligāti ievērojot ražotāja norādījumus) tikai pielietojumam paredzētā nolūkā. Kategoriski aizliegts lietot ierīci citos nolūkos. Būtbūvē ierīci nepieciešams ieslēgt pirms tuvinām pie materiāla/ vietas, uz kuru tā iedarbosies.

– **Darba vietā nepieciešams saglabāt tīrību.** Nekārtība darba vietā palielina negadījuma rašanos. Strādāt labi ventilētā telpā.

– **Pievērst uzmanību apkārtnē.** Neizlikt instrumentu lietūs iedarbībai. Lūdzam atcerēties par attiecīgu apgaismojumu. Nevizīt pistoli uz cilvēkiem un dzīvniekiem. Neļaut nepiederošām personām aizlikt spirālveida šļūteni, kompresoru vai kompresora barošanas vadu. Nepieļaut šīs personas darba zonā. Nepiederošas personas nedrīkst atrasties darba zonā. Bērns nepieļaut pie ierīces!

– **Instrumenta darba stāvoklis.** Nepieciešams pārbaudīt instrumenta un spirālveida šļūtenes komplektāciju un tehnisko stāvokli.

– **Nodrošināties no elektriskās strāvas trieciena.** Darba laikā izvairīties no ķermeņa daļu un instrumenta kontakta ar objektiem, kuri ir zem sprieguma piem. elektriskās instalācijas elementi, sildelementi, elektriskās ierīces.

– **Instrumentu glabāt nepiederošām personām nepieejamā vietā.** Nelietotus instrumentus jāglabā sausā, slēgtā un bērniem nepieejamā vietā. Visas konservācijas darbības veikt pie atvienotas saspiestā gaisa šļūtenes kā arī spiediena tvertnes.– Pārmērīgi nepārslogot instrumentu. Labāk un drošāk ir strādāt ar tehniskos datus uzrādītu ražību.

– **Vienmēr nēsāt atbilstošas darba drēbes.** Strādājot ar instrumentu nedrīkst nēsāt valģiņu apģērbus kā arī rotas lietas. Darba laikā ieteicams lietot gumijas cimdus un neslidošus apavus. Garu matu

gadījumā lietot matu tiklu.

– **Nelietot spirālveida šļūteni citos nolūkos.** Nepārnēsāt instrumentu aiz spirālveida šļūtenes. Sargāt šļūteni no karstuma, eļļām un asām šķautnēm.

– **Rūpēties par instrumentu.** Atcerēties par to, lai instrumentu vienmēr būtu tīrs, kas nodrošina efektīvu un drošu darbu. Ievērot konservācijas principus. Regulāri kontrolēt pārejas uzgaļu savienojumus un spirālveida šļūteni, gadījumā, ja tiek konstatēti bojājumi nodot remontā autorizētā servisa punktā.

– **Transportēšana.** Pirms transportēšanas instrumentu nepieciešams attiecīgi notīrīt un izvērtēt no lietotiem materiāliem. Transportēt var tikai pēc to atbilstošas nodrošināšanas pret piesārņošanu.

UZMANĪBU! Darba laikā nepieciešams vienmēr ievērot uzmanību. Novērtēt darba efektivitāti. Rīkoties saprātīgi. Reakcija var samazināties alkohola, zāļu un narkotisko vielu lietošanas rezultātā kā arī slimību un noguruma laikā. Tādā gadījumā nepieciešams pārtraukt instrumenta lietošanas darbību.

– **Kontrolēt ierīci varbūtēju defektu kontekstā.** Pirms katra instrumenta lietošanas to uzmanīgi pārbaudīt, it īpaši drošības elementus un daļas, kuras ir aizdomīgas. Nepieciešams novērtēt, vai tās pareizi izpilda funkcijas atbilstoši pielietojumam. Kontrolēt vai kustīgās daļas pareizi funkcionē un vai nebloķējas un vai nav bojātas. Visām detaļām jābūt atbilstoši piestiprinātām, lai nodrošinātu ierīces drošu darbu. Ja tiek ievērota kāda ierīces nepareiza darbība, nekavējoties to izslēgt un atvienot no barošanas avota. Bojāti drošības elementi un detaļas nepieciešams labot/apmainīt tikai autorizētā servisa punktā, ja citādi nav uzrādīts apkalpošanas instrukcija.

UZMANĪBU! Attiecīgi drošībai lietot vienīgi tos aprīkojumus un papildus ierīces, kuras ir uzrādītas apkalpošanas instrukcijā vai kuras ieteic ražotājs. Lietojot citas ierīces un aprīkojumu nekā ieteic ražotāja apkalpošanas instrukcija vai katalogs var Jums nozīmēt veselības vai mantas zaudēšanas bīstamību.

■ Darba drošība un higiēna.

- 1) Darba devēja pienākums ir izklāstīt šo instrumenta instrukciju tās operatoram!
- 2) Pirms darba sākuma nepieciešams izlasīt ražotāja ieteikumus un iepazīties ar tehniskiem parametriem.
- 3) Darbam, kontrolēi kā arī konservācijai vienmēr jābūt saskaņā ar pastāvošām darba drošības un higiēnas normām.
- 4) Pneimatisko instrumentu lietošanas laikā nepieciešams lietot aizsargbrilles un dzirdes aizsardzības austiņas.
- 5) Darbā ar ķīmiskiem šķīdumiem lietot elpošanas ceļu un acu aizsardzības maskas un aizsargfiltrus.
- 6) Kompresors darba laikā sasniedz augstu temperatūru. Pieskaroties tam var applaucēties.
- 7) Kompresora iesūktajam gaisam jābūt brīvam no citu gāzu piemaisījuma un/vai tvaikiem, par cik tie var kompresorā aizdegties vai eksplodēt.
- 8) Pārejas uzgaļa atslēgšanas laikā nepieciešams ar roku turēt šļūtenes sajūdošo elementu, lai izvairītos no raujošās šļūtenes ievainojuma.
- 9) Darbā ar pistolēm, tai skaitā arī caurpūšanas pistolēm, nepieciešams lietot aizsargbrilles. Svešie elementi un izpūstās daļiņas var viegli ievainot acis.

■ Wskazówki bezpieczeństwa przy pracy z rozpylanymi substancjami

– Nie stosować lakierów lub rozcieńczalników o temperaturze zapłonu niższej niż 55°C.

– Nie nagrzewać lakierów i rozpuszczalników.

– Gdy pracuje się z substancjami szkodliwymi dla zdrowia, w celu ochrony dróg oddechowych wymagane jest użycie urządzeń filtrujących chroniących oczy i drogi oddechowe (maski ochronnej na twarz). Zwracać również uwagę na podane przez producentów tych materiałów informacje o środkach ochronnych.

– Przestrzegać zasad postępowania z materiałami niebezpiecznymi podanych na opakowaniach używanych materiałów w formie danych i oznaczeń. Ewentualnie podając dodatkowe środki ochrony, w szczególności nosić odpowiednie ubrania i maski.

– Podczas spryskiwania, jak i w miejscu pracy nie wolno palić. Opary mogą być także łagodzące.

– Paleniska, otwarte źródła światła lub urządzenia wytwarzające iskry nie mogą znajdować się ani być używane w pobliżu otwartych pojemników z farbami, gdyż może to doprowadzić do pożaru/wybuchu. Z tego samego powodu nie wolno również palić tytoniu w tych sytuacjach.

– Nie przechowywać i nie spożywać potraw i napojów w pomieszczeniu, w którym się pracuje. Opary używanych substancji są szkodliwe dla zdrowia.

– Pomieszczenie, w którym wykonuje się prace natryskowe substancjami szkodliwymi musi mieć kubaturę większą niż 30 m³. Musi być zapewniona wystarczająca wymiana powietrza podczas natryskiwania i suszenia. Nie natryskiwać pod wiatr. Zasadniczo przy rozpylaniu, natryskiwaniu łatwopalnych, ewentualnie niebezpiecznych środków przestrzegać regulacji prawnych lokalnych organów władzy.

– Przy połączeniu z węzłem ciśnieniowym PCW nie stosować środków takich jak: benzyna lakowa, alkohol butylowy, chlorek metylenu (powoduje to skrócenie „żywności” węża).

UWAGA! Nie używać rozcieńczalnika i środków czyszczących powodujących oksydowanie pojemnika aluminiowego, samego pistoletu i jego galwanizowanych części. W sytuacjach ekstremalnych oksydowanie może spowodować wybuch. Producent materiałów malarskich i rozpuszczalników podają stosowne informacje na produktach. W żadnym wypadku nie stosować kwasów do czyszczenia narzędzi pneumatycznych.

Prosimy o zachowanie i przestrzeganie wskazówek bezpieczeństwa.

ROZDZIAŁ II. URUCHOMIENIE I UŻYTKOWANIE NARZĘDZI PNEUMATYCZNYCH

ZALECENIA PRZY ZASILANIU NARZĘDZI PNEUMATYCZNYCH SPRĘŻONYM POWIETRZEM:

– Doprowadzane powietrze powinno być zawsze czyste i suche.

– Zaleca się stosowanie elementów filtracyjnych, wychwytyjących cząsteczki wody, cząsteczki stałe i oleiste.

– Sprawdzajć wąż i końcówki przyłączeniowe przed każdym użyciem, pod względem ich przydatności do użycia oraz szczelności i poprawności podłączenia.

– Sprawdzajć urządzenie zasilające (np. sprężarkę, instalację pneumatyczną) przed każdym użyciem.

– By w pełni wykorzystać moc i wydajność narzędzia, należy stosować szybkozłączki a przewody odpowiedniej długości i średnicy.

– Należy unikać zaginania węża.

– Nie stosować narzędzi do celów przemysłowych.

– Nie stosować narzędzi w przemyśle spożywczym.

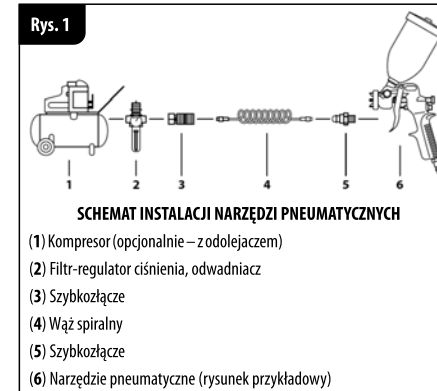
– Nie stosować narzędzi w środowisku zapylnym.

UWAGA! Nie wolno przekraczać dopuszczalnego ciśnienia

zasilającego! Nadmierne ciśnienie powoduje przekroczenie dopuszczalnych parametrów narzędzia i może skutkować jego uszkodzeniem i/lub uszkodzeniem węża oraz wypadkiem.

ZALECENIA PRZY PRACY NARZĘDZIEM PNEUMATYCZNYM:

Przed rozpoczęciem pracy narzędziem pneumatycznym należy upewnić się, iż zostało ono podłączone we właściwej kolejności do źródła zasilania (patrz rys. 1).



W czasie pracy narzędziem **nie można** prowadzić jego napraw, regulacji lub wymiany części.

Podczas przerw w pracy lub w czasie przechodzenia z jednego miejsca na drugie trzeba usunąć rozpylaną substancję ze zbiornika (w przypadku użytkowania pistoletu lakierniczego lub pistoletu do ropowania), potem odłączyć zasilanie sprężonym powietrzem, a następnie wyjąć końcówkę narzędzia z łącznika węża. Podczas wymiany końcówki roboczej dopływ sprężonego powietrza powinien być zamknięty, aby uniknąć jej wyrzucenia podczas przypadkowego uruchomienia narzędzia.

Narzędzia należy chronić przed upadkami i uderzeniami oraz przed zanieczyszczeniami np.: błotem, wodą, piaskiem, itp. i konserwować zgodnie z instrukcją obsługi, a także zwrócić uwagę na zachowanie dobrego stanu technicznego przewodów doprowadzających sprężone powietrze.

ZALECENIA W SPRAWIE UŻYTKOWANIA WĘŻY SPIRALNYCH:

Węże powinny być:

– mocno przytwierdzone do swoich końcówek.

– gazoszczelne (w przypadku stwierdzenia nieszczelności należy natychmiast wyłączyć dopływ sprężonego powietrza),

– przedmuchiwane ciepłym powietrzem,

– podłączane do źródeł zasilania wyposażonych w odoliwiacze powietrza i garki kondensacyjne.

– chronione przed uszkodzeniami mechanicznymi i oddziaływaniem materiałów żrących (kwasy, zasady), oleistych i smarów.

W miejscach narazonych na uszkodzenie mechaniczne **należy** używać węży zbrojonych. W razie stwierdzenia kontaktu węża z materiałami żrącymi należy zmoczyć węża wodą i sprawdzić czy jest nadal szczelny, czy pojawiły się odbarwienia i/lub odkształcenia, czy zmianie uległa twardość powierzchni zewnętrznej węża. Nie wolno używać uszkodzonego węża!

Wąż zanieczyszczony zewnątrz smarami lub olejami należy starannie oczyścić suchą, bawełnianą pakulą.

Używanie węża uszkodzonego i/lub zanieczyszczonego jw. grozi wypadkiem przy pracy.

Przyłączanie i odłączanie węża od narzędzia powinno odbywać się tylko przy zamkniętym zaworze powietrza. Nie wolno odcinać dopływu powietrza przez załamywanie węży!

Po przyłączeniu węża do źródła zasilania należy najpierw go przedmuchać, zachowując odpowiednie środki ostrożności, aby usunąć nagromadzony w nim pył, a potem przyłączyć narzędzie pneumatyczne.

Węże nie powinny dotykać ani znajdować się w pobliżu przewodów elektrycznych pod napięciem.



DANE TECHNICZNE:

Pobór sprężonego powietrza	250 l/min
Maksymalne ciśnienie powietrza	6 bar (87 psi)
Średnica wlotu powietrza	1/4"
Poziom ciśnienia akustycznego (LpA), K = 3 dB(A)	89 dB(A)
Poziom mocy akustycznej (LwA), K = 3 dB(A)	100 dB(A)
Całkowita wartość drgań działających na kończyny górne operatora nie przekracza 2,5 m/s ² (EN 1953:1998+A1:2009)	

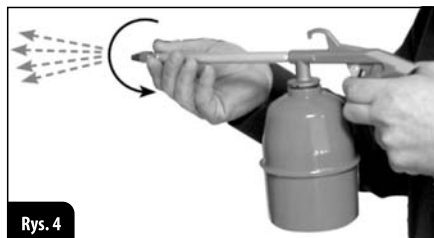
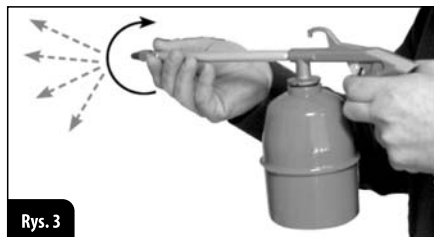
Materiał konstrukcyjny: korpus (stal), dźwignia (stal), zbiornik (stal), nasadki (metal kolorowy).

1.1 OPIS DZIAŁANIA:

Pistolet jest przeznaczony do czyszczenia zabrudzonych i zaoliwionych elementów przy użyciu właściwych do danej pracy rozpuszczalników lub innych substancji myjących. Metalowa obudowa i spust zapewniają długotrwałe użytkowanie narzędzia.

1.2 URUCHOMIENIE I UŻYTKOWANIE:

- 1) Wypełnić zbiornik (1) substancją myjącą lub rozcieńczalnikiem,
- 2) Dokręcić go mocno do korpusu pistoletu (2),
- 3) Następnie połączyć przewód rurowy zasilania w powietrze do złączki wejściowej (3) – **UWAGA:** podczas przyłączania nie trzymać palców na dźwigni „włącz/wyłącz” (4).
- 4) Naciskając na dźwignię „włącz/wyłącz” (4) uzyskuje się rozpylanie płynu – na powierzchnię próbną.
- 5) Obracając nasadkę pierścieniową (5) osiągnąć pożądany rozprysk strumienia, a następnie zablokować ją za pomocą kontrującą tylną nasadki pierścieniowej (6) (rys. 3–4).



- 6) Skierować dyszę na czyszczony element i nacisnąć dźwignię „włącz/wyłącz” (4).

OSTRZEŻENIE! Należy używać pistoletu zawsze w pozycji poziomej, w celu lepszego pobierania płynu ze zbiornika. Nie rozpylać szkodliwych substancji bez zastosowania maski chroniącej drogi oddechowe oraz gogli chroniących oczy.

ROZDZIAŁ III. GWARANCJA PRODUCENTA

Gwarancja nie obejmuje uszkodzeń spowodowanych normalnym zużyciem, przecięciem lub niewłaściwą obsługą oraz zastosowaniem nieodpowiednim dla danego narzędzia. W celu zachowania ważności niniejszej gwarancji, należy dostarczyć sprzedawcy narzędzie nie zdemontowane.

Gwarancja obejmuje wymienione części i robociznę przez okres 12 miesięcy począwszy od daty zakupu, poświadczonej fakturą lub paragonem fiskalnym i jest ważna tylko na terytorium Rzeczypospolitej Polskiej.

Możliwe wady mogą być usunięte poprzez wymianę narzędzia bądź wykonanie odpowiedniej naprawy.

W okresie gwarancyjnym, pod warunkiem przestrzegania przez nabywcę instrukcji obsługi urządzenia, producent dokonuje bezpłatnych napraw lub wymiany uszkodzonego urządzenia lub jego części konstrukcyjnych, nie spełniających swej funkcji wskutek wykonania ich przez producenta z niewłaściwego materiału lub defektów montażu, zawinionych przez producenta.

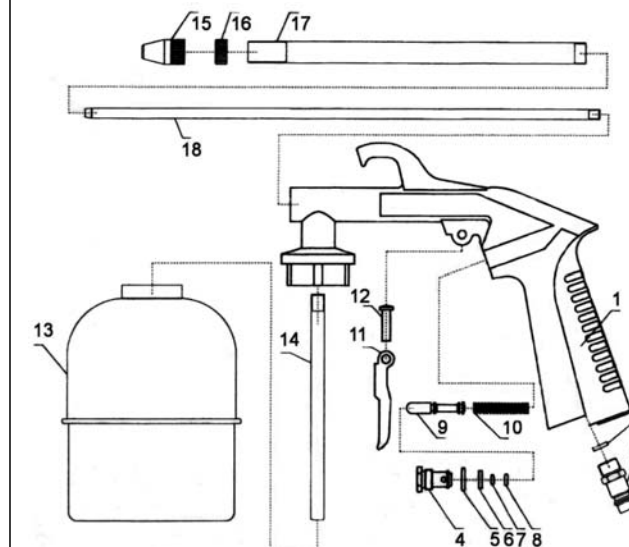
Naprawę gwarancyjną wykonuje się w centrach serwisowych PROFIX lub w serwisach, mających wydane upoważnienia do naprawy sprzętu. Napraw powinien dokonywać jedynie autoryzowany serwis, w przeciwnym wypadku może powstać dla użytkownika niebezpieczeństwo utraty zdrowia lub życia.

Długość okresu gwarancji, warunki gwarancji, jak również adresy centrów serwisowych i warsztatów naprawczych są podane w karcie gwarancyjnej.

USUWANIE ODPADÓW:

Narzędzia pneumatyczne, osprzęt i opakowanie należy poddać utylizacji zgodnie z obowiązującymi zasadami ochrony środowiska. Nie należy wyrzucać narzędzi do odpadów domowych!

Brėž. 5 VALYMO PISTOLETO MONTAVIMO SCHEMA:



1. Rankena(korpusas)
2. Jėjimo jungtis
3. O-ring
4. Nuleidimo vožtuvas
5. O-ring
6. Poveržlė
7. O-ring
8. O-ring
9. Nuleidimo vožtuvo stūmiklis
10. Spyruoklė
11. Gaidukas (svertas "jjunk/išjunk")
12. Gaiduko varžtas
13. Balionas
14. Įsiurbimo vamzdelis
15. Žiedinis purškimo antgalis
16. Užpakalinis žiedinis antgalis
17. Skysčio tiekimo vamzdelis
18. Oro vamzdelis

	NEŠIOKITE APSAUGINIUS AKINIUS!
	NEŠIOKITE KLAUSOS APSAUGOS PRIEMONES!
	DĖVĖKITE APSAUGINES PIŠTINES!
	DĖVĖKITE NUO DULKIŲ SAUGANČIĄJĄ KRAUŽĘ!
	PRIEŠ ĮJUNGIAMĮ PRIETAISĄ, PERSKAITYKITE JO NAUDOJIMO INSTRUKCIJĄ!
	PRODUKTAS ATITINKA EB DIREKTYVŲ REIKALAVIMUS

Ši instrukcija apsaugota autorine teise. Jos kopijavimas / dauginimas be įmonės profix sp. z o.o. leidimo raštu draudžiamas.

TECHNINIAI DUOMENYS:

Suslėgto oro sunaudojimas	250 l/min
Maksimalus oro slėgis	6 bar (87 psi)
Oro įleidimo angos diametras	1/4"
Akustinio slėgio lygis (LpA), K = 3 dB(A)	89 dB(A)
Akustinės galios lygis (LwA), K = 3 dB(A)	100 dB(A)
Bendra vibracijų, veikiančių operatoriaus viršutinėms galūnėms, vertė neperžengia 2,5 m/s ² (EN 1953:1998+A1:2009)	

Konstrukcijos medžiaga: korpusas (plienas), svertas (plienas), balionas (plienas), antgaliai (spalvotas metalas).

1.1 NAUDOJIMO APRAŠYMAS:

Pistoletas skirtas užterštiems ir taukuotiems elementams valyti, naudojant tam tikram darbui atitinkamus skiediklius arba kitas valymo priemones. Metalinis aptaisas ir gaidukas užtikrina įrankio ilgaamžiškumą.

1.2 ĮJUNGIMAS IR NAUDOJIMAS:

- 1) Pripildyti balioną (1) valymo skysčiu arba skiedikliu,
- 2) Stipriai prisukti prie pistoleto korpuso (2).
- 3) Po to prijungti oro tiekimo vamzdelį prie įėjimo jungties (3) - **DĖMESIO:** prijungimo metu nelaikykite pirštų ant sverto "įjunk/išjunk" (4).
- 4) Spaudžiant svertą "įjunk/išjunk" (4) skystis išpurškiamas - ant bandomojo paviršiaus.
- 5) Apsukant žiedinį antgalį (5) nustatyti atitinkamą purškimo srautą, o po to užblokuoti naudojant sukamąjį užpakalinį žiedinį antgalį (6) (brėž. 3 – 4).



Brėž. 3



Brėž. 4

- 6) Nukreipti purkštuką į valomą elementą ir nuspausti svertą "įjunk/išjunk" (4).

[SPĖJIMAS!] Pistoletą būtina naudoti horizontalioje pozicijoje, kad užtikrintų geresnį skysčio tiekimą iš baliono. Negalima purkšti žalingų medžiagų be apsauginio skydo, kvėpavimo takams saugoti ir apsauginių akinių, akims saugoti.

III SKYRIUS. GAMINTOJO GARANTIJA

Garantija netaikoma sužeidimams, atsiradusiems dėl normalaus susidėvėjimo, perkrovimo arba netinkamo naudojimo / ne pagal įrenginio paskirtį. Garantinis aptarnavimas taikomas jei įrankis pristatytas pardavėjui surinktoje padėtyje.

Garantija taikoma šioje instrukcijoje išvardytoms dalims ir darbams 12 mėnesių laikotarpiui nuo pirkimo datos, pagal faktūrą/sąskaitą, ir galioja tik Lenkijos teritorijoje. Trūkumai gali būti pašalinti pakeičiant įrankį arba atliekant atitinkamą remontą. Garantijos laikotarpis, jei pirkejas laikosi įrenginio naudojimo instrukcijų, gamintojas įsipareigoja atlikti nemokamus remontus arba sugadinto prietaiso arba jo konstrukcinės dalies pakeitimą, jei jos nevykdo savo funkcijos dėl to, kad yra pagamintos iš netinkamos medžiagos arba netinkamai sumontuotos gamintojo įmonėje.

Garantinis remontas atliekamas PROFIX serviso centruose arba kituose autorizuotuose serviso centruose. Remontus gali atlikti tik autorizuotas servisas, kitu atveju kyla pavojus vartotojo sveikatai arba gyvybei.

Garantijos galiojimo laikotarpis, sąlygos bei serviso centrų ir taisymo dirbtuvių adresai nurodyti garantijos lape.

ATLIEKŲ ŠALINIMAS:

- ✗ Pneumatiniai įrankiai, įranga ir įpakavimas turi būti perduoti perdirbimui pagal galiojančias aplinkos apsaugos taisykles.
- ✗ Negalima išmesti kartu su buitinėmis atliekomis!

PASTABOS:

- PROFIX siekia nuolat tobulinti savo produktus, todėl įmonė pasilieka sau teisę pakeisti gaminio specifikaciją be pranešimo.
- Standartiniai gaminiai ir aksesuarai gali skirtis priklausomai nuo pardavimo šalies.
- Gaminio specifikacija gali skirtis priklausomai nuo šalies.
- Visi produktai neturi būti prieinami visose šalyse.
- Susisiekite su vietiniu PROFIX platintoju, kad nustatytų produkto prieinamumą.

Gamintojas: PROFIX Sp. z o.o.

Adresas: ul. Marywilka 34, 03-228 Warszawa, Lenkija

UWAGI:

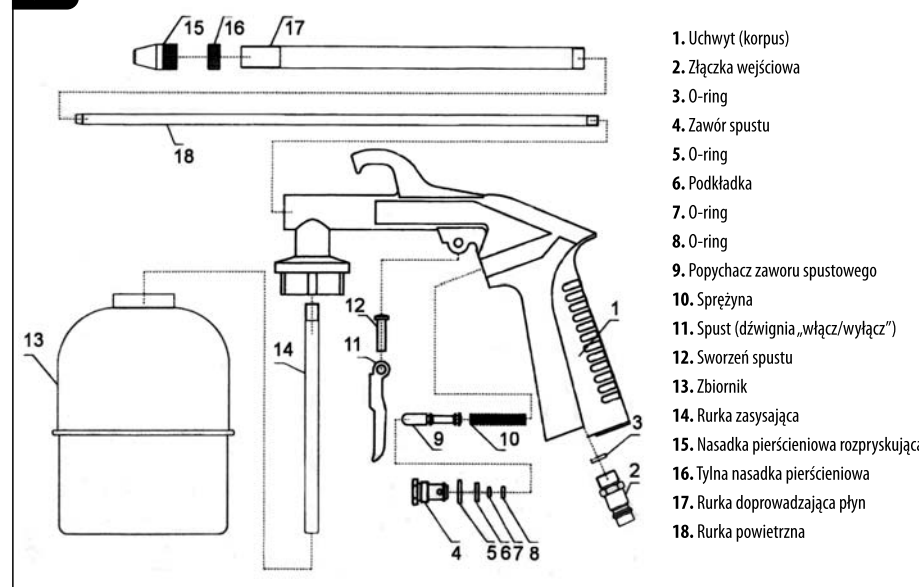
- Polityka PROFIX jest polityką stałego udoskonalania swoich produktów i dlatego firma rezerwuje sobie prawo zmiany specyfikacji wyrobu bez uprzedniego zawiadomienia.
- Standardowe wyroby i akcesoria mogą być różne w zależności od kraju sprzedaży.
- Specyfikacja wyrobu może różnić się dla różnych krajów.

- Pełen asortyment wyrobów może nie być dostępny we wszystkich krajach.
- Należy połączyć się z miejscowymi dystrybutorami PROFIX w celu określenia dostępności asortymentu.

Producent: PROFIX Sp. z o.o.

Adres: ul. Marywilka 34, 03-228 Warszawa, Polska

Rys. 5 SCHEMAT MONTAŻOWY PISTOLETU DO MYCIA:



	NOSIĆ OKULARY OCHRONNE!
	NOSIĆ SRODKI OCHRONY SŁUCHU!
	NOSIĆ RĘKAWICE OCHRONNE!
	STOSOWAĆ MASKĘ PRZECIWPYŁKOWĄ!
	PRZED URUCHOMIENIEM PRZECZYTAĆ INSTRUKCJĘ OBSŁUGI!
	PRODUKT SPEŁNIA WYMAGI DYREKTYW UE



Niniejsza instrukcja jest chroniona prawem autorskim. Kopiowanie/ powielanie jej bez pisemnej zgody firmy Profix Sp. z o.o. jest zabronione.



**ИНСТРУКЦИЯ ПО ЭКСПЛУАТАЦИИ
МОЕЧНЫЙ ПИСТОЛЕТ, АРТ. № 66247**
Перевод оригинальной инструкции



Уважаемый Клиент!

Прежде чем приступить к эксплуатации пневматического инструмента (именуемого в дальнейшем «инструмент» или «изделие»), необходимо прочитать инструкцию и соблюдать следующие основные правила техники безопасности во избежание ущерба для здоровья или гибели людей, защиты от поражения электрическим током,

травм, взрыва и опасности возникновения пожара. Эксплуатация инструментов должна соответствовать правилам техники безопасности, действующим на территории использования инструментов.

Несоблюдение нижеуказанных предупреждений и/или вмешательство в конструкцию пневматических устройств отменяет право на гарантию и освобождает производителя от ответственности за ущерб, возникший в связи с работой устройства в отношении людей, животных, имущества или самого устройства.

Просим хранить инструкции и указания, чтобы можно было всегда с ними вновь ознакомиться. В случае передачи устройства другому лицу, необходимо передать ему также инструкцию по обслуживанию. Мы не несём ответственности за несчастные случаи и повреждения, возникшие в результате несоблюдения настоящей инструкции и указаний по технике безопасности.

ВНИМАНИЕ! В связи с постоянным совершенствованием наших изделий, мы сохраняем за собой право вносить изменения, не содержащиеся в настоящей инструкции.

РАЗДЕЛ I. ОБЩИЕ УКАЗАНИЯ ПО ТЕХНИКЕ БЕЗОПАСНОСТИ ПРИ ЭКСПЛУАТАЦИИ ПНЕВМАТИЧЕСКИХ ИНСТРУМЕНТОВ

■ Применение инструмента

– Инструмент и рекомендуемое дополнительное оснащение необходимо применять в соответствии с инструкцией по обслуживанию. Инструмент и дополнительное оснащение необходимо применять (с обязательным соблюдением указаний производителя) только по назначению. Категорически запрещается применение устройства для других целей. Как правило, инструмент необходимо включать перед приближением к материалу/ месту, на котором будет производиться действие.

– Необходимо поддерживать порядок на рабочем месте. Беспорядок на рабочем месте увеличивает вероятность несчастного случая. Работу следует выполнять в хорошо вентилируемых помещениях.

– Обращать внимание на окружающую среду. Не подвергать инструмент действию дождя. Необходимо помнить о надлежащем освещении места работы. Не направлять пистолет в сторону людей или животных. Не разрешать посторонним лицам передвигать спиральный шланг, компрессор или кабель электропитания. Не допускать присутствия этих лиц в рабочей области. Посторонние лица не должны находиться в месте выполнения работы. Не допускать детей к устройству!

– Рабочее состояние инструмента. Необходимо проверять комплектность и отсутствие повреждений инструмента и спирального шланга.

– Предохранить себя от поражения электрическим током. В процессе работы следует избегать соприкосновения частей тела и инструмента с объектами, находящимися под электрическим напряжением, напр. элементами электропроводки, нагревательными элементами, электрооборудованием.

– Хранить инструмент в месте недоступном для лиц, не имеющих допуска к работе. Неиспользуемые инструменты должны храниться в сухом, закрытом и недоступном для детей месте. Все процедуры по техническому уходу выполнять после отсоединения провода со сжатым воздухом и бачка.

– Не перегружать чрезмерно инструмент. Предпочтительнее и безопаснее работать с производительностью, указанной в технических данных.

– Обязательно работать в соответствующей рабочей одежде. Не работать с инструментом в свободной одежде или с надетой бижутерией. При работе рекомендуется использовать резиновые перчатки и противоскользящую обувь. При наличии длинных волос, необходимо надевать сетку на волосы.

– Не применять спирального шланга не по назначению. Не переносить устройство при помощи спирального шланга. Предохранять шланг от жара, масла и острых краёв.

– Необходимо тщательно ухаживать за инструментом. Следить, чтобы инструмент был всегда чист, так как это гарантирует эффективную и безопасную работу. Соблюдать правила выполнения работ по техническому уходу. Регулярно проверять соединительные наконечники и спиральный шланг, а в случае выявления повреждений, передать их для ремонта в авторизованный сервисный пункт.

– Транспортировка. Перед транспортировкой инструменты должны быть соответствующим образом очищены от применяемых материалов и высушены. Они могут транспортироваться только после соответствующего предохранения их от загрязнения.

ВНИМАНИЕ! Необходимо всегда быть внимательным во время работы. Оценивать эффективность работы. Действовать благоразумно. Реакция может быть снижена в результате потребления алкоголя, принятия лекарств и наркотиков, а также в результате болезней и переутомления. В том случае следует отказаться от работы с применением инструмента.

– Проверять отсутствие возможных неисправностей устройства. Перед каждым использованием инструмента следует внимательно его проверить, а в особенности защитные элементы и части, которые предположительно могут быть повреждены. Необходимо оценить, выполняют ли они надлежащие и соответствующие назначению функции. Проверить правильность работы движущихся частей и отсутствие их взаимной блокировки, а также повреждений. Все элементы должны быть надлежащим образом установлены, чтобы обеспечивать безопасную работу устройства. Если будет замечен какой-либо признак неправильной работы устройства, необходимо немедленно выключить его и отсоединить от источника питания. Повреждённые защитные элементы и части необходимо ремонтировать/заменять только в авторизованном сервисном пункте, если иное не указано в инструкции по обслуживанию.

ВНИМАНИЕ! Для обеспечения собственной безопасности следует использовать только те принадлежности и дополнительное оборудование, которые указаны в инструкции по обслуживанию или рекомендуются производителем. Применение других принадлежностей и оснащения, чем указанные в инструкции по обслуживанию или в каталоге производителя, может нанести вред Вашему здоровью или имуществу.

■ Техника безопасности и гигиена труда

1) Работодатель обязан предоставить оператору инструмента настоящую инструкцию по его обслуживанию.

2) Прежде чем приступить к работе, необходимо прочитать

– Күрыкλος, атвирй швлес шалтайна арба кыркышчюуантыр йрэнгяйнай негалы бүйтй лайкомй ней наудожамй шаля атдыратүч индү су дазайс, нес тай галы сукелты гайсра/спрогымә. Дөл тос пачюс прьезәстьей йр эсант токомйс аплынкыбёмйс негалымә таип пат рүкыты табакә.

– Nelaikyti ir nevartoti maisto ir gërimų patalpoje, kur atliekami darbai. Naudojamų medžiagų garai yra žalingi sveikatai.

– Patalpa, kurioje atliekami purškimo darbai su pavojingomis medžiagomis, turi būti nemažesnė nei 30 m³. Purškimo ir džiovinimo metu būtina užtikrinti pakankamą vėdinimą. Nepurksti prieš vėją. Pagal principą, purškiant degias, potencialiai pavojingas priemones, privaloma laikytis šioje vietoje galiojančių teisės aktų.

– Sujungimui su slėgine žarna iš PVC nenaudoti tokių priemonių kaip: lako benzinas, butilo alkoholis, metileno chloridas (neigiamas poveikis žarnos "ilgaamžiškumui").

DĖMESIO! Nenaudoti skiediklių ir valymo priemonių, kurie oksiduoja aliumininius indus, pistoletą, ir jo galvanizuotas dalis. Kraštiniais atvejais oksidavimas gali sukelti sprogamą. Dažymo medžiagų ir skiediklių gamintojai nurodo atitinkamas rekomendacijas ant produktų. Jokių atveju pneumatiniams įrankiams valyti negalima naudoti rūgščių.

Prašome saugoti ir laikytis saugumo nurodymų.

II SKYRIUS. PNEUMATINIŲ ĮRANKIŲ JUNGIMAS IR NAUDOJIMAS

SVARBU! Bendri naudojimo nurodymai taikomi visiems lakavimo komplekte esantiems pneumatiniams įrankiams.

REKOMENDACIJAS TIEKIANČIUS SUSLĖGTĄ ORĄ Į PNEUMATINIŲ ĮRANKIŲ:

– Tiekiamas oras visada turi būti švarus ir sausas.

– Rekomenduojama naudoti filtravimo elementus, kurie sugeria vandens daleles bei kietas ir aliejinias daleles.

– Prieš kiekvieną naudojimą būtina patikrinti ar žarna ir jungiamieji antgaliai yra tvarkingi, sandarūs ir gerai sujungti.

– Prieš kiekvieną naudojimą būtina patikrinti tiekimo įrenginį (pvz. kompresorius, pneumatinė sistema).

– Siekiant visiškai išnaudoti įrankio pajėgumą būtina naudoti atitinkamo ilgio ir diametro jungimo movas ir vamzdelius.

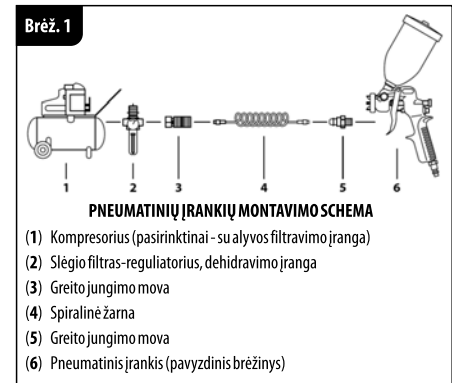
– Venkite žarnos lenkimo.

– Įrankių negalima naudoti pramonės tikslams.

– Įrankių negalima naudoti maisto pramonėje.

– Įrankių negalima naudoti apdulkinčioje aplinkoje.

DĖMESIO! Negalima peržengti leistino tiekiamo oro slėgio! Per didelis slėgis gali sukelti leistinų veikimo ribų peržengimą ir įrenginio ir/arba žarnos pažeidimą ir avariją.



PNEUMATINIO ĮRANKIO NAUDOJIMO NURODYMAI:

Prieš pradėdam naudoti pneumatinį įrankį būtina patikrinti, ar jis prijungtas atitinkama tvarka, pradėdam nuo tiekimo šaltinio (žiūr. brėž. 1).

Naudojant įrankį negalima jo taisyti, reguliuoti arba keisti jo dalis.

Nutraukus darbą arba pereinant iš vienos vietos į kitą būtina pašalinti išpurkštą iš baliono medžiagą (naudojant lakavimo pistoletą arba naftos purškimo pistoletą), po to atjungti suslėgto oro tiekimą ir išimti įrankio antgalį iš žarnos jungėjo. Pakeičiant darbo antgalį būtina atjungti suslėgto oro tiekimą, kad išvengtų oro iššokimo atsitiktinio įjungimo atveju.

Įrankį būtina saugoti nuo paleidimo, smūgių ir teršalų pvz.: purvas, vanduo, smėlis, ir t.t., prižiūrint atitinkamai pagal naudojimo instrukciją, be to laikyti suslėgto oro tiekimo vamzdelius geroje techninėje būklėje.

SPIRALINIŲ ŽARNŲ NAUDOJIMO NURODYMAI:

Žarnos turi būti:

- Gerai pritvirtintos prie savo antgalį;
- Dujoms nepralaidžios (pastebėjus nesandarumą būtina nedelsiant atjungti suslėgto oro tiekimą);
- Prapučiamos šiltu oru;
- Prijungtos prie tiekimo šaltinių su oro filtravimo įranga ir garo rezervuarais;

- Apsaugotos nuo mechaninių pažeidimų ir kaustinių (rūgštys, bazė), aliejinių priemonių ir tepalų poveikio.

Vietose, kur kyla mechaninio pažeidimo rizika būtina naudoti armuotas žarnas. Jei žarna susidūrė su kaustine medžiaga, būtina gausiai išplauti žarną vandeniu ir patikrinti ar yra sandari, ar pasirodė išblukinimas ir/arba deformacijos, ar pasikeitė išorinio žarnos paviršiaus tvirtumas. Negalima naudoti sugedusios žarnos! Tepalais ar aliejais užterštą žarną valyti sausomis, medvilnėmis pakulomis. Sugedusios ir/arba užterštos žarnos naudojimas gali sukelti nelaimingą atsitikimą darbe.

Žarną galima prijungti ir atjungti į/nuo įrankio tik jei oro vožtuvas uždarytas. Negalima atjungti oro tiekimo sulenkiant žarną!

Prieš prijungiant žarną prie tiekimo šaltinio, būtina ją prapūsti, laikantis atitinkamų saugumo nurodymų, siekiant pašalinti joje susikaupusias dulkes, o po to prijungti pneumatinį įrankį.

Žarnos negali susidurti arba būti šalia elektros laidų prie įtampos.





Gerbiamas Kliente,

Prieš naudodami pneumatinį įrankį (toliau - "įrankis" arba "produktas") perskaitykite naudojimo instrukciją ir laikykitės šių pagrindinių saugumo nurodymų sveikatai ir gyvybei apsaugoti nuo elektros smūgio, sužeidimų ir gaisro. Įrankius būtina naudoti pagal darbo saugos ir higienos nurodymų, galiojančių jų naudojimo teritorijoje. Įrankius būtina naudoti pagal darbo saugos ir higienos nurodymų, galiojančių jų naudojimo teritorijoje.



Šių nurodymų nesilaikymas ir/arba kišimasis į pneumatinių įrankių konstrukciją panaikina garantiją ir atleidžia gamintoją nuo atsakomybės už žalos žmoneš, gyvūnams, turtui arba pačiam įrenginiui, dėl netinkamo naudojimo.

Palaikykite naudojimo instrukciją ir nurodymus velesniam naudojimui. Jei įrenginys naudojamas kito žmogaus, perduokite jam šią naudojimo instrukciją. Mes neesame atsakingi už avarijas ir sužeidimus, atsiradusius dėl šios instrukcijos ir saugumo nurodymų nesilaikymo.

PASTABA: *Atsižvelgiant į tai, kad nuolat tobuliname mūsų produktus, pasilikame sau teisę atlikti pakeitimus, kuriuos nenumatytos šioje instrukcijoje.*

I SKYRIUS. BENDRI SAUGUMO NURODYMAI PNEUMATINIAMS ĮRANKIAMS

■ Įrankio naudojimas

– Įrankį ir rekomenduojamą papildomą įrangą būtina naudoti pagal naudojimo instrukciją. Įrankį ir papildomą įrangą būtina naudoti (laikantis gamintojo nurodymų) tik pagal numatytą paskirtį. Griežtai draudžiama naudoti įrenginį kitiems tikslams. Pagal principą, įrenginys turi būti įjungtas prieš nukreipiant jį numatytą medžiagą/vietą.

– Darbo vietoje būtina išlaikyti tvarką. Tinkama darbo vietoje padidina avarijos tikimybę. Naudoti tik gerai vėdinamose patalpose.

– **Atkreipti dėmesį į aplinką.** Saugoti nuo lietaus. Užtikrinti tinkamą apšvietimą. Nenukreipti pistoleto į žmonių arba gyvūnų pusę. Neleisti pašaliniam asmeniui judinti spiralinę žarną, kompresorių arba kompresoriaus maitinimo laidą. Neleisti šių asmenų į darbo vietą. Darbo vietoje negali būti pašalinii asmenų. Neleisti vaikams naudoti įrenginį!

– **Įrankio darbo būklė.** Patikrinkite, ar įrankis ir spiralinė žarna turi visą dalis ir nėra pažeisti.

– **Apsaugoti nuo elektros smūgio.** Darbo metu vengti kūno dalių ir įrankio susidūrimo su objektais prie įtampos, pvz. elektros sistemos elementais, šildymo elementais, elektros įrenginiais.

– **Įrankį būtina laikyti pašaliniam asmeniui neprieinamoje vietoje.** Baigus naudojimą, įrankis turi būti laikomas sausoje, uždarytoje ir vaikams neprieinamoje vietoje. Visus priežiūros darbus būtina atlikti atjungus vamzdelį su suslegtu oru ir balioną.

– **Įrenginio negalima perkrauti.** Tikamas ir saugus funkcionavimas užtikrintas, jei laikomasi techniniuose duomenyse nurodytų parametrų.

– **Visada dėvėti atitinkamą darbo aprangą.** Naudojant įrankį negalima dėvėti laisvų drabužių arba papuošalų. Darbo metu rekomenduojama dėvėti gumines pirštines ir neslystančią avalynę. Ilgiems plaukams dėvėti plaukų tinkelį.

– **Spiralinės žarnos negalima naudoti kitiems tikslams.** Neperešti įrenginio naudojant spiralinę žarną. Saugoti žarną nuo ugnies, aliejų ir aštrių kraštų.

– **Įrankis turi būti gerai prižiūrimas.** Atsiminkite, kad įrankis visada turi būti svarus, kad užtikrintų efektyvų ir saugų funkcionavimą. Laikykitės priežiūros nurodymų. Reguliariai tikrinti jungiamuosius antgalius ir spiralinę žarną, o sugedimo atveju atiduoti remontui autorizuotam servisui centrui.

– **Transportavimas.** Prieš transportavimą, nuo įrankių būtina nuvalyti naudojamos medžiagos likučius o po to atitinkamai juos nusausinoti. Įrankius galima transportuoti tik jeigu jie atitinkamai apsaugoti nuo užteršimo. **DĖMESIO! Darbo metu visada reikia būti atsargiam.** Privaloma tikrinti darbo efektyvumą. Elgtis išimtingai. Reagavimo laikas gali prailgti dėl alkoholio, vaistų ar narkotikų suvartojimo, taip pat dėl ligų ir nuovargio. Tokiais atvejais įrankį draudžiama naudoti.

– **Būtina tikrinti ar įrenginys neturi jokių trūkumų.** Prieš kiekvieną naudojimą, būtina patikrinti ypač apsaugos elementus ir dalis, kurios galėjo sugesti. Privaloma nustatyti jų atitikimą numatytai paskirtčiai. Patikrinti, ar judamos dalys veikia taisyklingai ir nesustoja, ar neturi trūkumų. Visas dalis privaloma atitinkamai sumontuoti, kad užtikrintų saugų įrenginio funkcionavimą. Jei pastebėsite netaisyklingo darbo požymius, nedelsdami išjunkite įrenginį ir atjunkite jį nuo elektros tinklo. Pažeisti apsaugos elementai ir dalys būtina atiduoti remontui/pakeitimui autorizuotam servisui centrui, jei naudojimo instrukcijoje kitaip nenumatyta.

DĖMESIO! Dėl saugumo priežasčių būtina naudoti tik tuos aksesuarus ir papildomus įrenginius, kurie numatyti naudojimo instrukcijoje arba rekomenduojami gamintojo. Kitų aksesuarų ir įrangos, nei numatyta naudojimo instrukcijoje ar gamintojo kataloge, naudojimas gali padaryti žalą sveikatai ir turtui.

■ Darbo sauga ir higiena

- 1) Darbdavio pareiga perduoti šią įrankio naudojimo instrukciją operatoriui!
- 2) Prieš pradėdam darbą privaloma perskaityti gamintojo rekomendacijas ir susipažinti su techniniais parametrais.
- 3) Darbas, tikrinimas ir priežiūra visada turi atitikti galiojančius darbo saugos ir higienos reikalavimus.
- 4) Naudojant pneumatinius įrankius būtina naudoti apsauginius akinius ir ausines.
- 5) Naudojant cheminius skysčius būtina dėvėti apsauginį skydą ir filtrus kvėpavimo takams ir akims apsaugoti.
- 6) Darbo metu kompresorius yra labai karštas. Palietimo atveju, kyla nudegimo pavojus.
- 7) Kompresoriaus įsibūriamame ore negali būti jokių kitų dujų ir/arba garų, nes kompresoriuje kyla užsidegimo ir sprogiomo pavojus.
- 8) Atjungus greito sujungimo movą, prilaikykite žarnos jungiamąjį elementą, kad išvengtų sužeidimo dėl atsokančios žarnos smūgio.
- 9) Naudojant pistoletus, tame tarpe prapūtimo pistoletą, būtina dėvėti apsauginius akinius. Svetimi kūnui ir nupučiados dalys gali sužeisti akį.

■ Saugumo nurodymai naudojant purškiamąsias medžiagas

- Lakų ir skiediklių negalima susiūlyti.
- Naudojant sveikatai žalingas medžiagas, būtina naudoti filtravimo įrenginius akims ir kvėpavimo takams apsaugoti (apsauginį skydą, veidui apsaugoti). Privaloma taip pat atsižvelgti į šių medžiagų gamintojų rekomenduojamas apsaugines priemones.
- Laikykitės pavojingų medžiagų naudojimo nurodymų, nurodytų ant naudojamos medžiagos pakuočės kaip informacija arba pažymėjimas. Galima taip pat imtis papildomų apsaugos priemonių, būtent dėvėti atitinkamą aprangą ir apsauginį skydą.
- Purškimo metu ir darbo vietoje negalima rūkyti. Garai gali būti labai degūs.

rekomendacijos gamintojo ir pažinti su techniniais parametrais.

- 3) Darbo, patikrinimo, ir techninio apsaugos prižiūrimo metu būtina laikytis saugos ir higienos taisyklių.
- 4) Pri darbe su pneumatickimi instrumentais neobchodimo ispol'zovat' zashchitnye ochki tipa «ogly» i zashchitnye naušnikai.
- 5) Pri darbe s himičeskoj pyl'zoo sleduet primenjat' protivopylnnye respiratory i zashchitnye fil'try, predohranjajuce organy dyhanyia i glaza.
- 6) Vo vremja raboty kompressor nağrevaetsja do vysokoj temperatury. Pri kosnosvenie k nemu vyzyvaet oğo.
- 7) Vsašyvaemyy v kompressor vozduh ne moğet soğerğat' primesi drugih gazov i/mili isparenija, poskol'ku oni moğut zoğoret'sja ili vzorvat'sja v kompressor.
- 8) Pri otsoedinenii bystrosraz'ėmnoj mufty neobchodimo poğderživat' rukoj šcenoj element šlanga, aby izbeğat' travmy ot vskidyvaemogo šlanga.
- 9) Pri rabote s pistol'etami, v t. č. s pistol'etami dla prodvki, neobchodimo primenjat' zashchitnye ochki tipa «ogly». Postoronnie obyektu (elementy) i sduvaemee časti moğut legko travmirovat' glaza.

■ Uказания по технике безопасности при работе с распыляемыми веществами

- Не применять лаков или растворителей с температурой воспламенения менее 55°С.
 - Не подогревать лаков или растворителей.
 - При работе с вредными для здоровья веществами, с целью защиты дыхательных путей необходимо применять фильтрующие устройства, защищающие глаза и дыхательные пути (защитная маска). Обращать также внимание на указания производителей этих материалов сведения о средствах защиты.
 - Соблюдать правила действия с опасными материалами, указанными на упаковке применяемых материалов в виде данных и обозначений. По возможности применять дополнительные средства защиты, в частности носить соответствующую одежду и маски.
 - Запрещено курить во время распыления, а также в месте выполнения работ. Испарения также могут быть легковоспламеняющимися.
 - Кострища, очаги, камини, открытые источники света или устройства испускающие искры не могут находиться или применяться вблизи открытых ёмкостей с краской, так как это представляет опасность пожара/взрыва. По этой же причине запрещено также курить в таких ситуациях.
 - Не хранить и не потреблять продуктов питания и напитков в помещении, в котором выполняется работа. Испарения применяемых веществ вредны для здоровья.
 - Объём помещения, в котором выполняются работы по распылению вредных веществ, должен составлять не менее 30 м³. Должен быть обеспечен достаточный воздухообмен во время распыления и сушки. Не выполнять распыления против ветра. При распылении, пульверизации легко воспламеняющихся или опасных средств следует соблюдать правила и предписания, установленные местными органами власти.
 - При соединении с напорным шлангом из ПВХ не применять таких средств как лаковый бензин (уйт-спирит), бутиловый спирт, хлористый метилен (это приводит к снижению срока службы шланга).
- ВНИМАНИЕ!** Не применять чистящих средств или растворителей, приводящих к окислению алюминия, емкости, самого пистолета и его гальванизированных элементов. В экстремальных ситуациях окисление может привести к взрыву. Производители лакокрасочных материалов и растворителей указывают соответствующие сведения на своих изделиях. Ни в коем случае не

применять кислот для чистки пневматических инструментов.

Просим соблюдать и придерживаться указаний по технике безопасности.

РАЗДЕЛ II. ЗАПУСК В РАБОТУ И ЭКСПЛУАТАЦИЯ ПНЕВМАТИЧЕСКИХ ИНСТРУМЕНТОВ

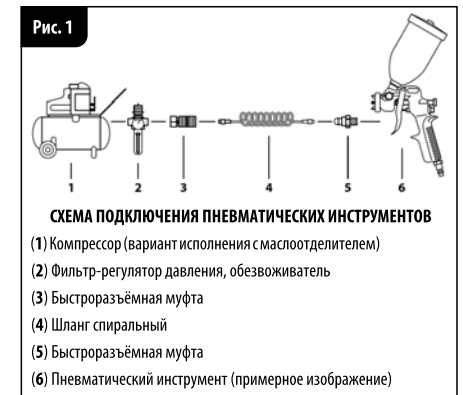
УКАЗАНИЯ ОТНОСИТЕЛЬНО ПОДАЧИ СЖАТОГО ВОЗДУХА В ПНЕВМАТИЧЕСКИЕ ИНСТРУМЕНТЫ:

- Подаваемый сжатый воздух обязательно должен быть сухим и чистым.
- Рекомендуется применять фильтрующие элементы, улавливающие молекулы воды, частицы твёрдых и маслянистых веществ.
- Следует проверять шланг и присоединительные наконечники перед каждым применением на предмет их пригодности к применению, а также герметичности и правильности их присоединения.
- Перед каждым применением необходимо проверить оборудование подачи сжатого воздуха (напр. компрессор, пневматическую станцию).
- Чтобы полностью использовать мощность и производительность инструмента, необходимо применять быстроразъёмные соединения и воздухопроводы соответствующей длины и диаметра.
- Избегать загибов шланга.
- Не применять инструменты для промышленных целей.
- Не применять инструменты в пищевой промышленности.
- Не применять инструменты в пыльной среде.

ВНИМАНИЕ! *Запрещено превышать допустимое давление подачи сжатого воздуха! Чрезмерное давление ведёт к превышению допустимых параметров инструмента и может привести к его повреждению и/или повреждению шланга или несчастью!*

РЕКОМЕНДАЦИИ ПРИ РАБОТЕ С ПНЕВМАТИЧЕСКИМ ИНСТРУМЕНТОМ:

Прежде чем приступить к работе с пневматическим инструментом, необходимо проверить подключение ли он в правильной последовательности к источнику сжатого воздуха (смотри рис. 1).



Во время работы с инструментом **запрещено** выполнять его ремонт, регулировку или замену частей.

Во время перерыва в работе или во время перехода с одного места на другое необходимо устранить распыляемое вещество из резервуара (в случае эксплуатации окрасочного пистолета или пистолета для цементации), затем отключить подачу сжатого воздуха, после чего извлечь наконечник инструмента из соединителя шланга. Во время замены рабочего наконечника подача сжатого воздуха должна быть закрыта, чтобы избежать выброса наконечника при случайном

включении инструмента.

Инструменты следует предохранять от падений и ударов, а также от загрязнения (напр. болотом, водой, песком и т. п.). Технический уход осуществлять в соответствии с инструкцией по обслуживанию. Необходимо также обратить внимание на поддержку хорошего технического состояния проводов подвода сжатого воздуха.

РЕКОМЕНДАЦИИ ПО ЭКСПЛУАТАЦИИ СПИРАЛЬНЫХ ШЛАНГОВ.

Шланги должны быть:

- надёжно прикреплены к своим наконечникам,
- газонепроницаемыми (в случае выявления негерметичности, необходимо немедленно отключить подачу сжатого воздуха),
- продукты теплым воздухом,
- присоединены к источникам сжатого воздуха, оснащённым маслоотделителями для воздуха и конденсационными горшками (водоотделителями),
- предохранены от механических повреждений и действия едких веществ (кислот, оснований), маслянистых веществ и смазки.

В местах, в которых имеется опасность механического повреждения, необходимо применять армированные шланги. В случае выявления контакта шланга с едкими материалами, необходимо промыть шланг большим количеством воды и проверить отсутствие обезвреживания и/или деформации, не изменилась ли твердость внешней поверхности шланга. Эксплуатация повреждённого шланга запрещена!

Шланг, загрязнённый снаружи смазкой или маслом, необходимо старательно очистить сухой, хлопчатобумажной тканью.

Эксплуатация повреждённого и/или загрязнённого шланга может привести к несчастному случаю.

Присоединение и отсоединение шланга от инструмента выполнять только при закрытом клапане подачи воздуха. Запрещено прекращать подачу сжатого воздуха путём залома (загиба) шланга!

После присоединения шланга к источнику сжатого воздуха, необходимо предварительно подуть его, соблюдая соответствующие средства предосторожности, с целью устранения из него пыли, а затем присоединить к нему пневматический инструмент.

Шланги не должны прикасаться или находится вблизи электрических проводов, находящихся под напряжением.



ТЕХНИЧЕСКИЕ ПАРАМЕТРЫ:

Расход сжатого воздуха	250 л/мин
Максимальное давление сжатого воздуха	6 бар (87 psi)
Диаметр впуска воздуха	1/4"
Уровень звукового давления (LpA), K = 3 дБ(A)	89 дБ(A)
Уровень звуковой мощности (LwA), K = 3 дБ(A)	100 дБ(A)
Общая величина вибраций, воздействующих на верхние конечности оператора не превышает 2,5 м/с ² (стандарт EN 1953:1998+A1:2009)	

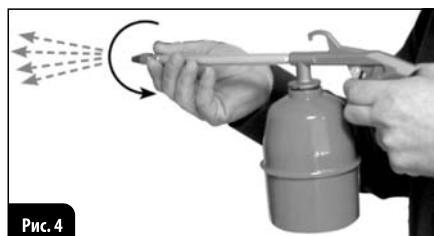
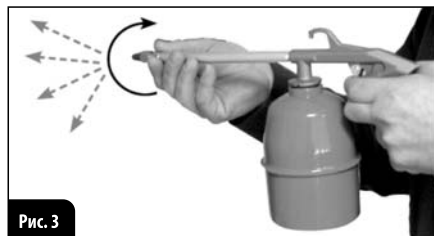
Конструкционный материал: корпус (сталь), рычаг (сталь), бачок (сталь), головки (цветной металл)

1.1 ОПИСАНИЕ РАБОТЫ:

Пистолет предназначен для чистки загрязнённых и замасленных элементов при помощи соответствующих для данной работы растворителей или других моющих средств. Металлический корпус и рычаг обеспечивают долговременную эксплуатацию инструмента.

1.2 ЗАПУСК В РАБОТУ И ЭКСПЛУАТАЦИЯ:

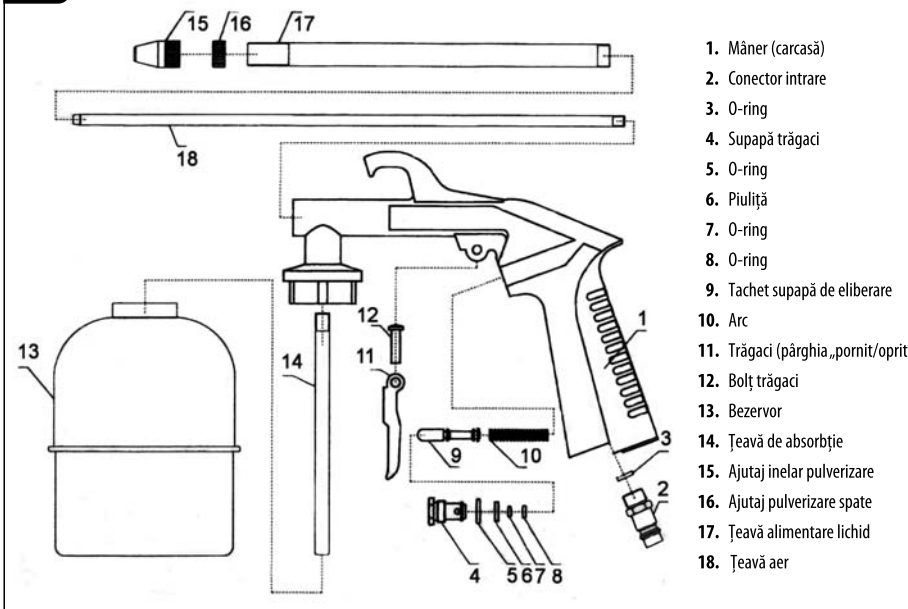
- 1) Заполнить бачок (1) моющим средством или растворителем.
- 2) Привинтить его надёжно к корпусу пистолета (2).
- 3) Присоединить трубопровод подачи сжатого воздуха к присоединительному штуцеру (3). **ВНИМАНИЕ:** во время присоединения не дер-жать пальцы на рычаге «включить/выключить» (4);
- 4) При нажатии на рычаг «включить/выключить» (4), выполнить распыление жидкости на пробной поверхности;
- 5) Вращая кольцевую головку (5) установить желаемое разбрызгивание струи, а затем зафиксировать её при помощи контролирующей задней кольцевой головки (6) (рис. 3 – 4).



- 6) Направить сопло на очищаемый элемент и нажать на рычаг «включить/выключить» (4).

ПРЕДУПРЕЖДЕНИЕ! При работе необходимо держать пистолет только в горизонтальном положении с целью лучшего отбора жидкости из бачка. Не распылять вредных веществ без респиратора, защищающего дыхательные пути и очков типа «оглы» для защиты глаз.

Des. 5 SCHEMA DE MONTARE A PISTOLULUI PENTRU SPĂLAT:



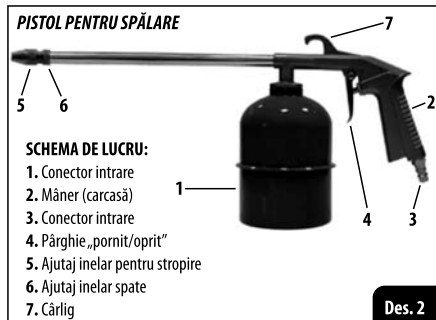
	PURTAȚI OCHELARI DE PROTECȚIE!
	PURTAȚI PROTECȚIE AUDITIVĂ!
	PURTAȚI MĂNUȘI DE PROTECȚIE!
	FOLOSIȚI MĂȘTI ANTIPRAF.
	CITIȚI INSTRUCȚIUNILE DE UTILIZARE ÎNAINTE DE A PORNI APARATUL!
	PRODUSUL ÎNDEPLINEȘTE CERINȚELE DIRECTIVELOR UE



Prezenta instrucțiune este protejată prin dreptul de autor. Copierea/inmulțirea fără acordul în scris al firmei PROFIX Sp. z o.o. este interzisă.

După ce conectați furtunul la sursa de alimentare trebuie să-l curățați prin suflare, păstrând măsurile de precauție corespunzătoare, pentru a îndepărta praful depus în acesta, iar apoi conectați unealta pneumatică.

Furtunurile nu trebuie să atingă și nici să nu se afle în apropierea cablurilor electrice sub tensiune.



PISTOL PENTRU SPĂLARE

SCHEMA DE LUCRU:

1. Conector intrare
2. Mâner (carcasă)
3. Conector intrare
4. Pârghie „pornit/oprit”
5. Ajutaj inelar pentru stropire
6. Ajutaj inelar spate
7. Cârlig

Des. 2

INFORMAȚII TEHNICE:

Absorbție aer comprimat	250 l/min
Presiune maximă aer	6 bar (87 psi)
Diametru orificiu intrare aer	1/4"
Nivel presiune acustică (LpA), K = 3 dB(A)	89 dB(A)
Nivel putere acustică (LwA), K = 3 dB(A)	100 dB(A)
Valoarea maximă a vibrațiilor care acționează asupra membrelor superioare ale operatorului nu depășește 2,5 m/s ² (EN1953:1998+A1:2009)	

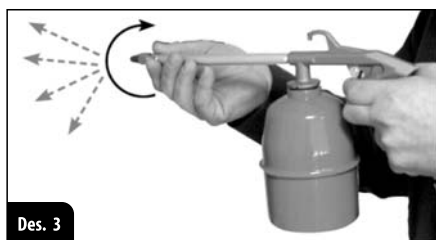
Materiale de fabricație: carcasă (oțel), pârghie (oțel), rezervor (oțel), ajutoraje (metal neferos).

1.1 DESCRIERE FUNCȚIONARE:

Pistolul a fost proiectat pentru curățarea pieselor murdare sau uleiate cu diluanți sau sau substanțe de curățare corespunzătoare pentru activitatea respectivă. Carcasa metalică și trăgaciul asigură funcționarea îndelungată a aparatului.

1.2 PORNIREȘI UTILIZARE

- 1) Umpleți rezervorul (1) cu o substanță de spălare sau cu diluant,
- 2) Strângeți-l puternic de carcasa pistolului (2),
- 3) Apoi cuplați țeava cablu de alimentare cu aer cu conectorul de intrare (3) – **ATENȚIE:** nu țineți apăsată pârghia „pornit/oprit” (4) în timpul cuplării.
- 4) Dacă apăsați pârghia „pornit/oprit” (4) lichidul se va pulveriza – pe suprafața de probă.
- 5) Învârtiți ajutorajul inelar (5) până ce obțineți jetul de pulverizare dorit și apoi blocați-l cu ajutorajul inelar spate (6) (des. 3–4).



Des. 3



Des. 4

6) Îndreptați duza spre piesa curățată și apăsați pârghia „pornit/oprit” (4).

ATENȚIONARE! Trebuie să folosiți mereu pistolul în poziție orizontală pentru a obține pulverizarea optimă a lichidului din rezervor. Nu pulverizați substanțe periculoase fără a purta măști de protecție a căilor respiratorii și ochelari de protecție.

CAPITOLUL III. GARANȚIA PRODUCĂTORULUI

Garanția nu include deteriorările provocate de utilizarea normală, suprasolicitare sau de utilizarea necorespunzătoare pentru unele corespunzătoare. Pentru a păstra această garanție valabilă, trebuie să aduceți unealta nedemontată la vânzător.

Garanția cuprinde piesele menționate și manopera timp de 12 luni de la data achiziției, confirmată de factură sau de chitanța fiscală și este valabilă doar pe teritoriul Republicii Polone.

Defectele posibile pot fi îndepărtate prin înlocuirea aparatului sau efectuarea de reparații corespunzătoare.

În perioada de garanție, cu condiția ca persoana care a cumpărat aparatul să citească instrucțiunea de utilizare, producătorul efectuează gratuit reparațiile sau înlocuirea aparatului deteriorat ori a pieselor constitutive care nu pot realiza funcțiile lor în cazul în care acest lucru a avut loc din cauza unui defect de producție, datorită folosirii unui material necorespunzător sau a defectelor de montare cauzate de producător.

Reparația în perioada de garanție se efectuează în centrele de service PROFIX sau în unitățile de service care au autorizația de a repara acest aparat. Reparațiile trebuie efectuate doar într-un service autorizat, în caz contrar utilizatorul sau viața acestuia poate fi în pericol.

Lungimea perioadei de garanție, condițiile de garanție, precum și adresele centrelor de service și a atelierelor de reparație sunt indicate în cartea de garanție.

ELIMINARE DEȘEURI:

Unealta pneumatică, echipamentul și ambalajul trebuie trimise la reciclaj conform legislației de protecție a mediului în vigoare. Nu aruncați aparatele împreună cu gunoiul menajer!

ATENȚIE:

- Politică PROFIX este aceea de a îmbunătăți în permanență produsele sale și de aceea firma își rezervă dreptul de a modifica specificația produsului fără să fie necesar să ofere informații referitoare la modificarea specificației produsului.
- Produsele standard și accesoriile pot fi diferite în funcție de țara de vânzare.
- Specificația produsului poate fi diferită în funcție de țară.
- Există posibilitatea ca întreg asortimentul de produse să nu fie disponibil pentru toate țările.
- Trebuie să luați legătura cu distribuitorii locali ai PROFIX pentru a afla informații despre asortiment.

Producător: PROFIX Sp. z o.o.

Adresa: ul. Marywilka 34, 03-228 Warszawa, Polonia

РАЗДЕЛ III. ГАРАНТИЯ ПРОИЗВОДИТЕЛЯ

Гарантия не распространяется на повреждения, возникшие в результате нормального износа, перегрузки или неправильной эксплуатации, а также в случае применения инструмента не по назначению. Чтобы не утратить права на настоящую гарантию, необходимо передать инструмент продавцу в неразобранном состоянии. Гарантия действует на указанные части и стоимость работы в течение 12 месяцев от даты приобретения, подтвержденной счёт-фактурой или кассовым чеком, и действительна только на территории Республики Польша.

Возможные неисправности могут быть устранены путём замены инструмента на исправный или выполнения соответствующего ремонта.

В течение срока действия гарантии, при условии соблюдения покупателем инструкции по обслуживанию устройства, производитель бесплатно выполняет ремонт или осуществляет замену повреждённого устройства или частей его конструкции, не выполняющих своей функции в результате изготовления их производителем из ненадлежащего материала или дефектов при сборке, возникших по вине производителя.

Гарантийный ремонт осуществляется в сервисных центрах PROFIX или в сервисных пунктах, имеющих право выполнять ремонт оборудования. Ремонт может выполняться только в авторизованном сервисном пункте. В противоположном случае может возникнуть опасность потери пользователем здоровья или угроза для его жизни.

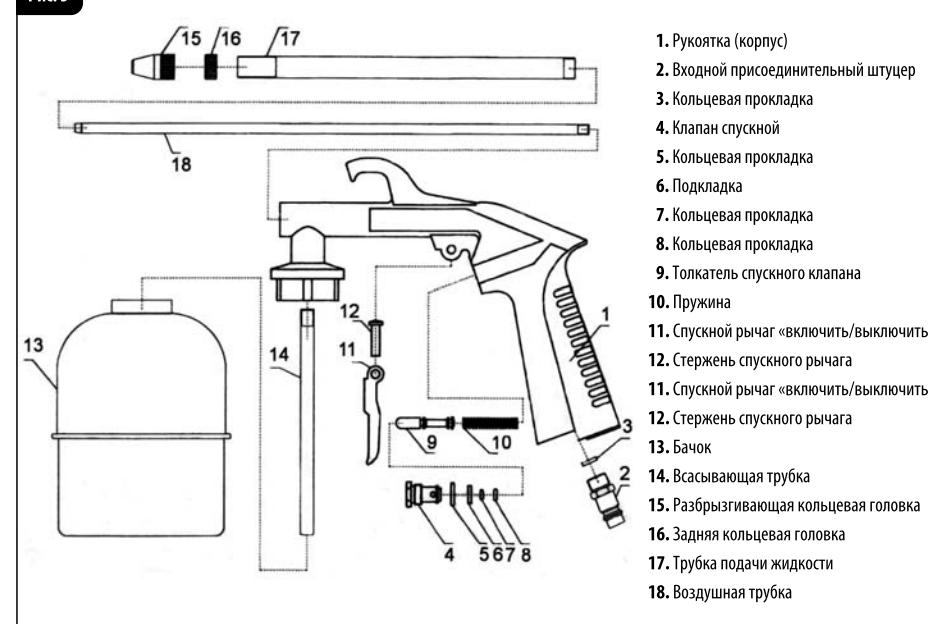
Гарантийный срок, условия предоставления гарантии, а также адреса сервисных центров и ремонтных мастерских указаны в гарантийной карте.

УТИЛИЗАЦИЯ:

Пневматические инструменты, оснащение и упаковку следует утилизировать в соответствии с действующими правилами по защите окружающей среды.

Не следует выбрасывать инструменты вместе с бытовыми отходами!

Рис. 5 СБОРЧНАЯ СХЕМА МОЕЧНОГО ПИСТОЛЕТА:



1. Рукотка (корпус)
2. Входной присоединительный штуцер
3. Кольцевая прокладка
4. Клапан спусковой
5. Кольцевая прокладка
6. Подкладка
7. Кольцевая прокладка
8. Кольцевая прокладка
9. Толкатель спускового клапана
10. Пружина
11. Спусковой рычаг «включить/выключить»
12. Стержень спускового рычага
11. Спусковой рычаг «включить/выключить»
12. Стержень спускового рычага
13. Бачок
14. Всасывающая трубка
15. Разбрызгивающая кольцевая головка
16. Задняя кольцевая головка
17. Трубка подачи жидкости
18. Воздушная трубка



Настоящая инструкция по эксплуатации защищена авторскими правами. Запрещено её копирование и размножение без согласия ООО «ПРОФИКС».

ПРИМЕЧАНИЯ:

- Политика компании PROFIX заключается в постоянном совершенствовании своих изделий и поэтому компания сохраняет за собой право на изменение спецификации изделия без предварительного уведомления.
- Стандартные изделия и принадлежности могут отличаться в зависимости от страны продажи.
- Спецификация изделия может отличаться для разных стран.
- Полный ассортимент изделий может быть недоступным во всех странах.
- С целью определения наличия ассортимента необходимо связаться с дистрибьюторами компании PROFIX на данной территории.

Производитель: ООО «PROFIX»

Адрес: ul. Marywilka 34, 03-228 Warszawa, Польша

	ИСПОЛЬЗОВАТЬ ЗАЩИТНЫЕ ОЧКИ ВО ВРЕМЯ РАБОТЫ
	ВО ВРЕМЯ РАБОТЫ РЕКОМЕНДУЕТСЯ ПРИМЕНЯТЬ СООТВЕТСТВУЮЩИЕ СРЕДСТВА ЗАЩИТЫ СЛУХА
	НОСИТЬ ЗАЩИТНЫЕ ПЕРЧАТКИ
	ИСПОЛЬЗОВАТЬ ПРОТИВООПЫЛЕВУЮ МАСКУ
	ПЕРЕД ВКЛЮЧЕНИЕМ И НАЧАЛОМ РАБОТЫ НЕОБХОДИМО ПРОЧИТАТЬ ИНСТРУКЦИЮ ПО ЭКСПЛУАТАЦИИ
	УСТРОЙСТВО СООТВЕТСТВУЕТ ТРЕБОВАНИЯМ ЕС

RO

INSTRUCȚII DE FOLOSIRE
PISTOL PENTRU SPĂLAT, ART. 66247
 Traducere din instrucțiunea originală



Stimate Client,



Pentru a putea folosi unealta pneumatică (numită mai departe – „unealta” sau „produsul”) trebuie să citiți instrucțiunea și să respectați următoarele măsuri de protecție de bază pentru a evita daunele împotriva sănătății sau pierderea vieții, pentru a vă proteja de electrocutare, răni, explozie și de pericolul de incendiu. Trebuie să respectați normele de protecție și igienă a muncii valabile la nivel local atunci când folosiți aparatul.

Nerespectarea atenționărilor de mai jos și/sau modificarea construcției uneltelor pneumatice anulează drepturile de garanție și exceptă producătorul de răspundere pentru pagubele apărute în legătură cu funcționarea aparatului - care au avut loc față de persoane, animale, proprietate sau față de aparat.

Vă rugăm să păstrați instrucțiunile și indicațiile ca să puteți reveni oricând la acestea. În cazul în care încredințați aparatul unei alte persoane, trebuie să-i înmănați de asemenea și instrucțiunea de utilizare. Nu suntem răspunzători pentru accidentele și pagubele care au apărut datorită nerespectării prezentei instrucțiuni și a indicațiilor de siguranță.

ATENȚIONARE: Deoarece perfecționăm în permanență produsele noastre ne rezervăm dreptul de a introduce modificări care nu sunt incluse în prezenta instrucțiune.

CAPITOLUL I. INDICAȚII GENERALE DE SIGURANȚĂ CU PRIVIRE LA UTILIZAREA DE UNELTE PNEMATICE

■ Utilizarea uneltei

– **Unealta și accesoriile recomandate trebuie utilizate conform instrucțiunii de utilizare.** Unealta și accesoriile trebuie folosite (cu respectarea obligatorie a indicațiilor producătorului) doar în scopuri conforme cu destinația acestora. Utilizarea aparatului în alte scopuri este categoric interzisă. De regulă unealta trebuie pornită înainte de a o apropia de materialul/locul care va fi prelucrat.

– **Trebuie să păstrați ordinea la locul de muncă.** Dezordinea la locul de muncă mărește riscul de accidente. Lucrați doar în încăperi bine ventilate.

– **Aveți atenție la mediu.** Nu expuneți unealta la ploaie. Țineți minte de iluminatul corespunzător. Nu îndreptați pistolul în direcția oamenilor și a animalelor. Nu permiteți persoanelor străine să miște furtunul spirală, compresorul sau cablul de alimentare al compresorului. Nu permiteți accesul acestor persoane în zona de muncă. Persoanele străine nu pot să fie prezente în zona de muncă. Nu permiteți accesul copiilor la aparat!

– **Starea de funcționare a uneltei.** Trebuie să verificați unealta și furtunul spirală pentru a descoperi dacă este complet sau nu este deteriorat.

– **Luăți măsuri de protecție împotriva electrocutării.** În timpul lucrului evitați să atingeți unealta cu obiecte aflate sub tensiune, de ex. elementele instalației electrice, elementele de încălzire, dispozitivele electrice.

– **Păstrați aparatul într-un loc inaccesibil persoanelor neautorizate.** Aparatul care nu este folosit trebuie depozitat într-un loc uscat, închis și care nu este accesibil copiilor. Toate activitățile de întreținere trebuie efectuate după ce cablul cu aer comprimat și rezervorul au fost decuplate.

– **Nu suprasolicitați unealta.** Cel mai bine și cel mai sigur operează la randamentul indicat în informațiile tehnice.

– **Purtați mereu îmbrăcăminte de protecție.** Nu purtați haine largi sau bijuterii atunci când folosiți unealta. Vă recomandăm să folosiți mănuși de cauciuc și încălțăminte antiderapantă în timp ce folosiți aparatul. În caz că

aveți părul lung trebuie să purtați plasă pentru păr.

– **Nu folosiți furtunul spirală în alte scopuri.** Nu trageți de furtunul spirală pentru a muta unealta. Protejați furtunul de jar, uleiuri și suprafețe ascuțite.

– **Aveți grijă de unealtă.** Aveți grijă ca unealta să fie mereu curată, pentru a putea lucra eficient și sigur. Respectați regulile de întreținere. Controlați ciclic capetele conectorilor și furtunul spirală, iar în cazul în care descoperiți că este deteriorat trimiteți-l la reparat într-un service autorizat.

– **Transportul.** Înainte de a fi transportată unealta trebuie să fie curățată și uscată corespunzător de materialele folosite. Acestea pot fi transportate doar după ce au fost asigurate corespunzător împotriva mizeriei.

ATENȚIE! Trebuie să aveți mereu atenție atunci când lucrați. Evaluați eficacitatea muncii. Procedați cu prudență. Capacitatea de reacție poate fi diminuată datorită consumului de alcool, medicamente și droidită consumului de alcool, medicamente și droguri precum și în caz de oboseală sau de boală. În aceste cazuri trebuie să renunțați să operați unealta.

– **Controlați aparatul pentru a descoperi dacă nu există defecte.** Înainte de fiecare utilizare a aparatului trebuie să-l verificați cu atenție, în special elementele protectoare și piesele despre care considerați că sunt avariate. Trebuie să stabiliți dacă îndeplinesc funcțiile corespunzătoare și conforme cu destinația aparatului. Verificați dacă piesele în mișcare funcționează fără probleme și dacă nu sunt avariate. Toate piesele trebuie să fie montate corespunzător pentru ca aparatul să funcționeze în condiții de siguranță. În cazul în care observați că aparatul funcționează necorespunzător opriți-l imediat și decuplați-l de la sursa de alimentare. Elementele de protecție și piesele avariate trebuie înlocuite doar într-un service autorizat, cu excepția cazului în care s-a stabilit altfel în instrucțiunea de utilizare.

ATENȚIE! Pentru propria siguranță trebuie să folosiți doar acele accesorii și dispozitive adiționale care sunt indicate în instrucțiunea de utilizare sau sunt recomandate de producător. Folosirea altor accesorii și echipamente decât cele indicate în instrucțiunea de utilizare sau în catalogul producătorului poate provoca daune materiale sau pune în pericol sănătatea dumneavoastră.

■ Protecția și igiena muncii

1) Una dintre obligațiile angajatorului este aceea de a înmâna operatorului prezenta instrucțiune de utilizare a aparatului!

2) Înainte de a începe să lucrați trebuie să citiți recomandările producătorului și să citiți parametrii tehnici.

3) Lucrul, controlul precum și întreținerea trebuie efectuate mereu conform normelor de protecție și igienă a muncii în vigoare.

4) Atunci când utilizați unelte pneumatice trebuie să folosiți ochetați de protecție și protecție auditivă.

5) Atunci când lucrați cu substanțe chimice lichide trebuie să folosiți mască și filtre de protecție pentru a vă proteja căile respiratorii și ochii.

6) Compresorul are temperatura ridicată atunci când este folosit. Atingerea acestuia în timpul funcționării provoacă arsuri.

7) Aerul pe care îl absoarbe compresorul nu poate conține amesterci de gaze și/sau vapori, deoarece acestea se pot aprinde în compresor sau pot exploda.

8) Atunci când decuplați conectorul de cuplare rapidă trebuie să țineți cu mâna elementul de cuplare al furtunului ca să nu vă rănească furtunul în mișcare.

9) Atunci când folosiți pistoale, inclusiv pistolul de suflare, trebuie să folosiți ochelari de protecție. Obiectele străine și piesele suflate vă pot răni cu ușurință ochii.

■ Indicații de protecție a muncii în cazul utilizării de substanțe pulverizate

– Nu folosiți lacuri sau diluanți cu temperatura de aprindere mai mică de 55°C.

– Nu încălziți lacurile și diluanții.

– Atunci când lucrați cu substanțe periculoase pentru sănătate, pentru a proteja căile respiratorii trebuie să folosiți dispozitive cu filtre pentru protecția ochilor și de căilor respiratorii (mască de protecție pentru față). Citiți de asemenea informațiile despre mijloacele de protecție indicate de producătorii acestor substanțe.

– Respectați regulile de procedură cu substanțele periculoase indicate pe ambalajele substanțelor folosite atât sub formă de informații cât și de marcaje. Eventual luați măsuri adiționale de protecție, în special purtați haine și măști corespunzătoare.

– Fumatul este interzis atunci când stropiți și la locul de muncă. Vaporii pot fi inflamabili.

– Focurile, sursele de luminat pornite și aparatele care produc scântei nu se pot afla și nu pot fi folosite în apropierea cutiilor deschise cu vopsele, deoarece acest lucru poate provoca incendiu/explozie. Din același motiv fumatul este interzis în aceste situații.

– Nu depozitați și nu consumați mâncare și băuturi în încăperea în care se lucrează. Vaporii substanțelor folosite sunt periculoși pentru sănătate.

– Încăperea în care se efectuează lucrări de stropire cu substanțe periculoase trebuie să aibă volumul mai mare de 30 m³. Trebuie să asigurați schimbul corespunzător de aer atunci când stropiți și în timpul uscării. Nu stropiți în direcția opusă direcției de suflare a vântului. Trebuie să respectați reglementările juridice emise de organele instituțiilor locale atunci când pulverizați sau stropiți cu substanțe inflamabile, sau potențial periculoase.

– LA conexiunea cu furtunul sub presiune din PCV nu folosiți următoarele substanțe: benzină pentru lac, alcool butilic, clorat metilic (acest lucru duce la prescurtarea, duratele de viață a furtunului).

ATENȚIE! Nu folosiți diluanți și substanțe de curățat care duc la oxidarea rezervorului de aluminiu, pistolului și a pieselor galvanizate. În situații extreme oxidarea poate duce la explozie. Producătorii de materiale de vopsit și de diluanți oferă informații corespunzătoare pe produse. În niciun caz nu folosiți acizi pentru a curăța uneltele pneumatice.

Vă rugăm să păstrați și să respectați indicațiile de siguranță.

CAPITOLUL II. PORNIREA ȘI UTILIZAREA UNELTELOR PNEMATICE

IMPORTANT! Regulile generale de utilizare se referă la toate uneltele pneumatice care fac parte din setul de lucru.

RECOMANDĂRI REFERITOARE LA ALIMENTAREA UNELTELOR PNEMATICE CU AER COMPRIMAT:

– Aerul de alimentare trebuie să fie mereu curat și uscat.

– Se recomandă folosirea de elemente de filtrare, care captează particolele de apă, particolele dure și uleioase.

– Verificați furtunul și conectorii înainte de fiecare utilizare, pentru a verifica dacă pot fi utilizate, etanșeitatea și corectitudinea conexiunii.

– Verificați dispozitivul de alimentare (de ex. compresorul, instalația pneumatică) înainte de fiecare utilizare.

– Pentru a putea folosi pe deplin puterea și randamentul uneltei, trebuie să folosiți un conector cu conexiune rapidă și cabluri cu lungime și diametru corespunzătoare.

– Evitați presarea furtunului.

– Nu folosiți aparatele în scopuri industriale.

– Nu folosiți uneltele în industria alimentară.

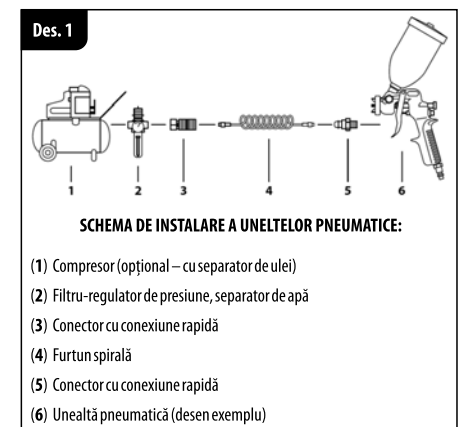
– Nu folosiți uneltele în mediu prafuluit.

ATENȚIE! Nu depășiți presiunea de alimentare permisă! Excesul de presiune duce la depășirea parametrilor permisi ai uneltei și pot duce la deteriorarea

și/sau distrugerea furtunului și poate provoca accidente.

RECOMANDĂRI PENTRU OPERAREA UNEALTEI PNEMATICE:

Înainte de a începe lucrul cu unealta pneumatică trebuie să vă asigurați că a fost conectată în ordinea corespunzătoare la sursa de alimentare (vezi des. 1).



Atunci când lucrați cu unealta **nu se pot** efectua reparații, reglări sau înlocui piese ale acesteia.

În timpul pauzelor de muncă sau atunci când mutați aparatul în alt loc trebuie să scoateți substanța pulverizată din rezervor (în cazul utilizării de pistol de lăcuit sau a pistolului pentru curățat carburatorul), apoi decuplați alimentarea cu aer comprimat, mai târziu scoateți joncțiunea aparatului din conectorul furtunului. Atunci când schimbați accesoriul alimentarea cu aer comprimat trebuie să fie închisă pentru ca joncțiunea să nu fie aruncată în cazul în care aparatul ar fi pornit din greșeală.

Aveți grijă ca aparatul să nu cadă și să nu fie lovit și protejați-l de impurități, de ex.: noroi, apă, nisip, etc. și întrețineți-l conform instrucțiunii de utilizare, dar aveți grijă de starea tehnică bună a cablurilor de alimentare cu aer comprimat.

RECOMANDĂRI REFERITOARE LA UTILIZAREA FURTUNULUI SPIRALĂ:

Furtunurile trebuie să fie:

– strânse puternic de joncțiunea lor.

– etanșe la gaz (în cazul în care observați lipsa de etanșeitate trebuie să opriți imediat alimentarea cu aer comprimat),

– străbătute de aer cald,

– cuplate la surse de alimentare dotate cu separatoare de ulei și cu băi de condensare.

– protejate de avariile mecanice și de substanțele corosive (acizi, baze), uleioase și unsoari.

În lucrurile expuse la deteriorare mecanică trebuie să folosiți furtunuri armate. În cazul în care observați că furtunul intră în contact cu substanțe corosive trebuie să spălați furtunul cu multă apă și să verificați dacă este etanș în continuare, dacă s-a decolorat și/sau deformat, dacă s-a schimbat duritatea suprafeței externe a furtunului. Nu folosiți furtunul deteriorat! Furtunul murdărit în exterior cu unsoari sau uleiuri trebuie să fie curățat cu grijă cu un tampon uscat și curat de bumbac.

Utilizarea furtunului deteriorat și/sau murdărit cum s-a menționat mai sus poate provoca accidente de muncă.

Cuplarea și decuplarea furtunului de la aparat trebuie să aibă loc atunci când supapa de aer este închisă. Nu strungați furtunul pentru a opri alimentarea cu aer!